

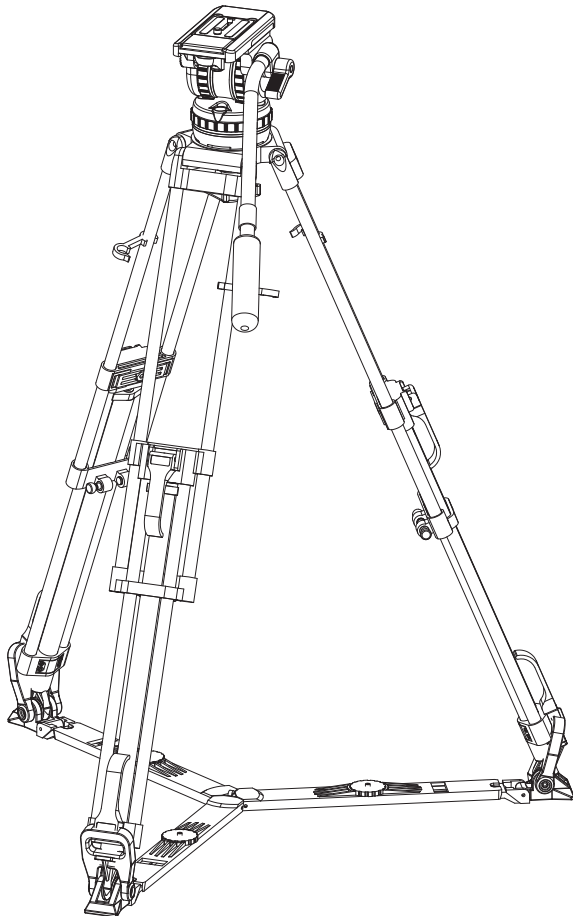
www.secced.com

SECCED[®]

Operator Guide

Professional Fluid Head & Tripod

Reach Plus Tripod Kit



Preface

Thank you and congratulation on your new Reach Plus tripod kit from Secced

We want you to get the most from your new Reach Plus tripod kit, and therefore encourage you to read this operator guide to familiarise yourself with its many features, some of which may be new to you. It also covers essential health and safety information and a section on maintenance that will ensure you keep your new product in perfect condition.

To receive additional benefits, register with Secced now, on line by visiting www.secced.com, or by completing the registration form.

Features and benefits of your new Reach Plus Tripod

Designed to meet the demands of the professional camera operator, the Reach Plus tripod combines an innovative dual hand wheel design and new advances in manufacturing technology. Increased drag system results in smoother movement of head; new counterbalance system ensures the faster camera balance.

Tripod combines the innovative clamping system with new advances in manufacturing technology, Reach tripods are available with aluminium or carbon fibre legs in single- or two-stage configuration and with 75mm, 100mm, 150mm bowl mounting. Lighter tripods with increased payload capacity. Extensive height range and unrivalled torsional stiffness.

Once again, thank you for choosing the Reach Plus tripods.

We are confident it will give you many years of reliable performance

Safety - Read this first

Warning Symbols in this Operators Guides

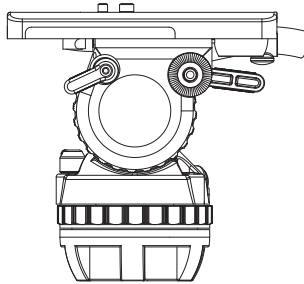


Where there is a risk of personal injury, injury to others, or damage to the tripods or associated equipment, comments appear, highlighted by the word **WARNING!** and supported by the warning triangle symbol.

Content

Preface	1
Safety - Read This First	2
Fluid Head	4
Tripod	24
Floor Spreader	28
Mid Level Spreader	31
Reach Plus Tripod Kit	35
Tripod Kit Packing List	40
Optional Accessories	40

Fluid Head



Reach Plus series head has 7 models, Reach Plus 0--2 is DV head, Reach Plus 3--6 are ENG head, every head has bubble level, and all of the ENG heads are equipped with double pan bar.

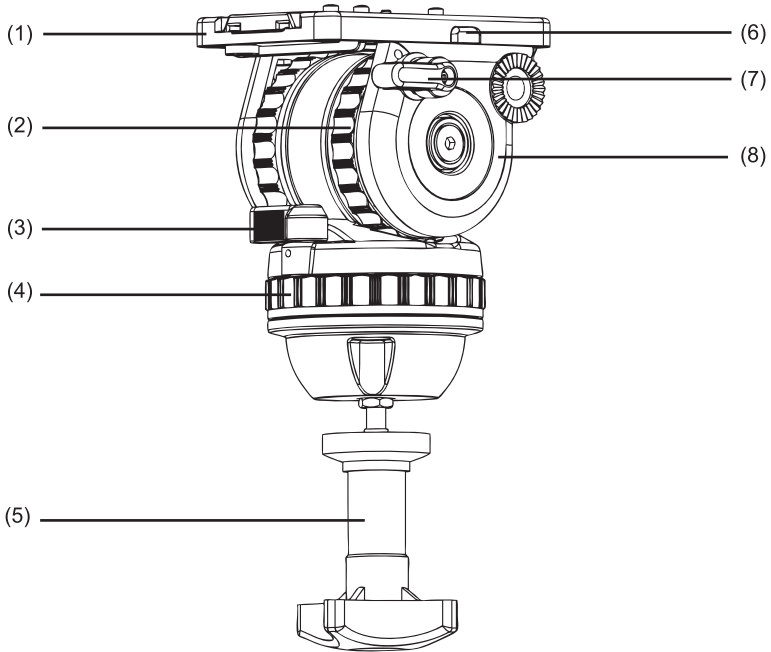
Content

Technical data	5
Installing the pan bar	15
Mounting the camera	16
Pan and tilt brakes	21
Battery Changing	22
Maintenance	23

Specification

Model	Bowl Size	Weight	Payload	Counterbalance	Drag (Pan/Tilt)	Tilt Range
SC-DV4/75RP	75mm	2.2kg	0-5.6kg	0~7	0~3/0~3	-75°to+90°
SC-DV6/75RP	75mm	2.5kg	0-5.6kg	0~7	0~3/0~3	-75°to+90°
SC-DV10/75RP	75mm	3 kg	0-11kg	0~7	0~5/0~5	-75°to+90°
SC-V15/100RP	100mm	3.8kg	0-17kg	0~7	0~7/0~7	-75°to+90°
SC-V20/100RP	100mm	5.5kg	0-32kg	0~7	0~7/0~7	-75°to+90°
SC-V25/150RP	150mm	7.03 kg	0-44kg	0~7	0~7/0~7	-75°to+90°
SC-V65/150RP	150mm	8 kg	12-65kg	1~8	0~7/0~7	-75°to+90°

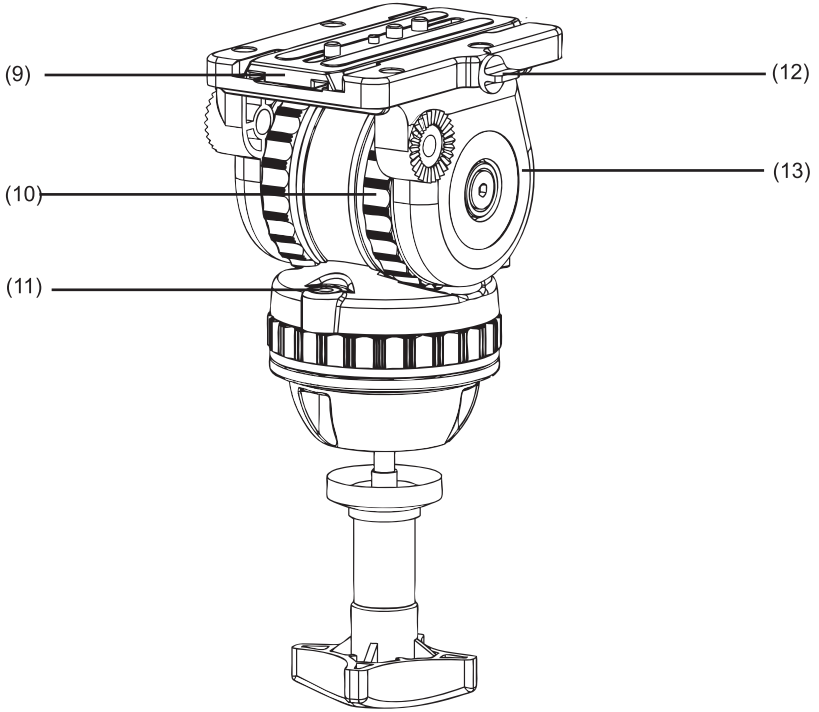
Fig 1



Reach Plus 0 Fluid Head (Left-Hand Side)

- | | |
|-----|---------------------------|
| (1) | Support plate |
| (2) | Tilt drag adjustment knob |
| (3) | Pan brake knob |
| (4) | Pan drag adjustment knob |
| (5) | Bowl clamp |
| (6) | Quick release button |
| (7) | Tilt brake knob |
| (8) | Left Side Plate |

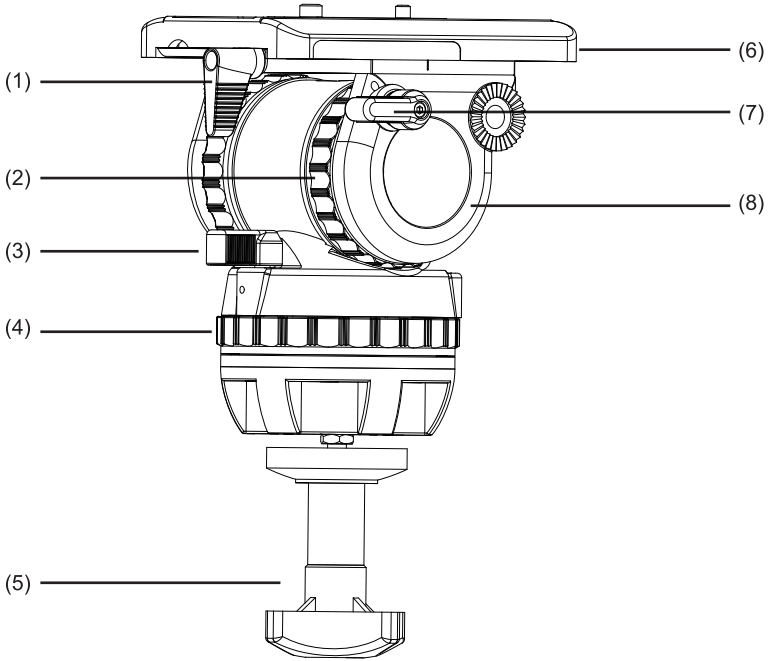
Fig 2



Reach Plus 0 Fluid Head (Right-Hand Side)

- | | |
|------|------------------|
| (9) | Quicklock wedge |
| (10) | Balance knob |
| (11) | Bubble level |
| (12) | Brake knob |
| (13) | Right side plate |

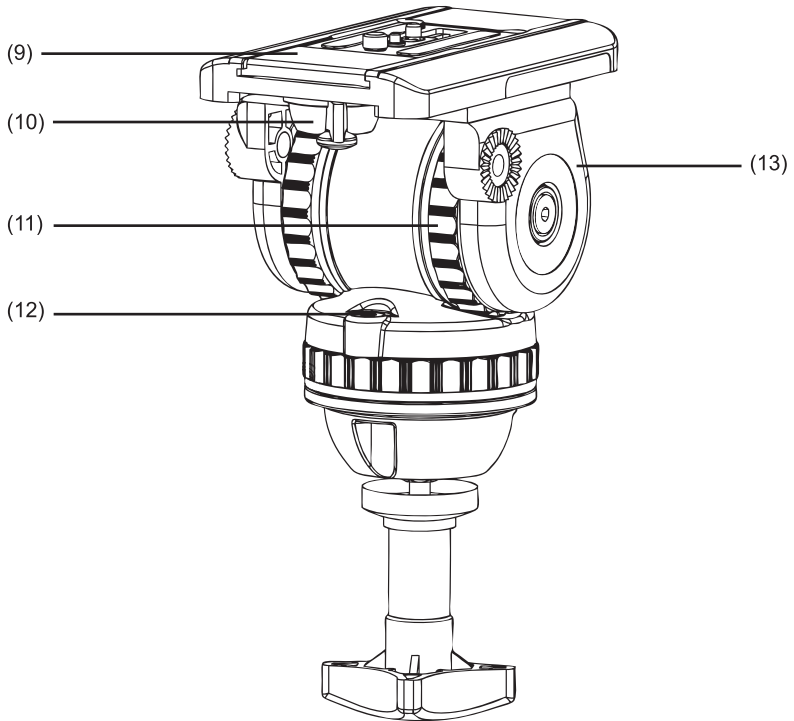
Fig 3



Reach Plus 1 to 5 Fluid Head (Left-Hand Side)

- | | |
|-----|---------------------------|
| (1) | Slide plate clamp |
| (2) | Tilt drag adjustment knob |
| (3) | Pan brake knob |
| (4) | Pan drag adjustment knob |
| (5) | Bowl clamp |
| (6) | Slide plate |
| (7) | Tilt brake knob |
| (8) | Left Side Plate |

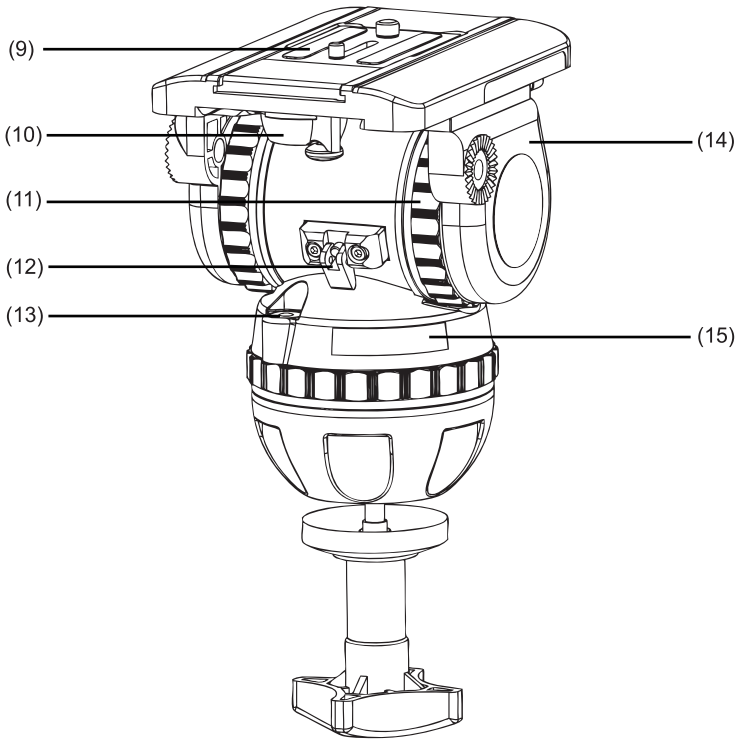
Fig 4



Reach Plus 1 to 2 Fluid Head (Right-Hand Side)

- | | |
|------|--------------------|
| (9) | Quicklock wedge |
| (10) | Quick release knob |
| (11) | Balance knob |
| (12) | Bubble level |
| (13) | Right side plate |

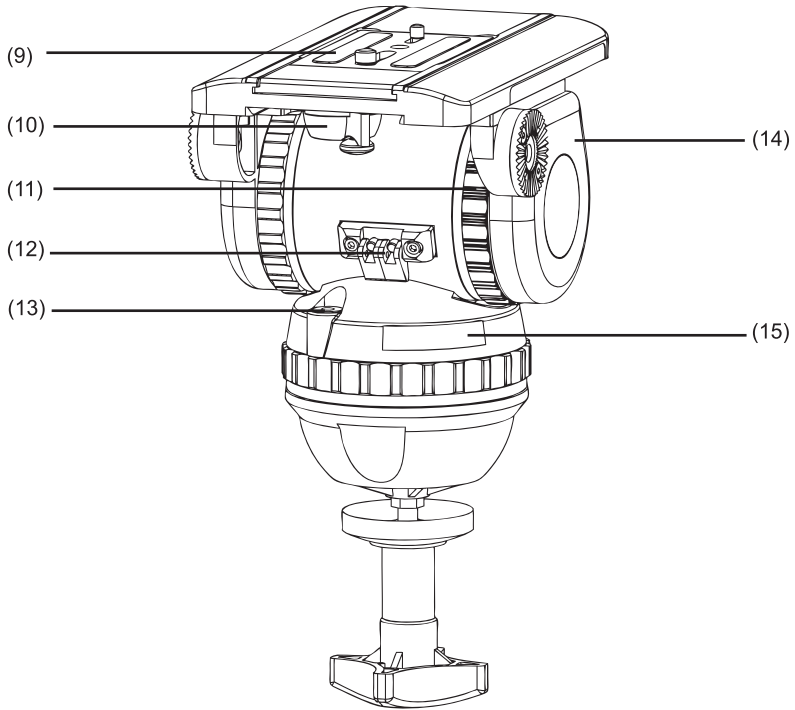
Fig 5



Reach Plus 3 Fluid Head (Right-Hand Side)

- | | |
|------|---------------------------------|
| (9) | Quicklock wedge |
| (10) | Quick release knob |
| (11) | Balance knob |
| (12) | Balance adjustment lever device |
| (13) | Bubble level |
| (14) | Right hand plate |
| (15) | Battery case |

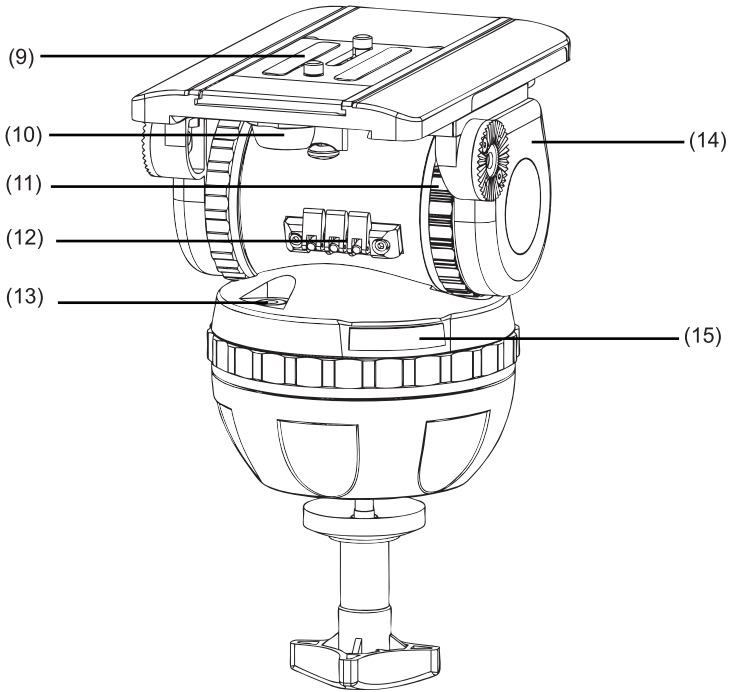
Fig 6



Reach Plus 4 Fluid Head (Right-Hand Side)

- | | |
|------|---------------------------------|
| (9) | Quicklock wedge |
| (10) | Quick release knob |
| (11) | Balance knob |
| (12) | Balance adjustment lever device |
| (13) | Bubble level |
| (14) | Right hand plate |
| (15) | Battery case |

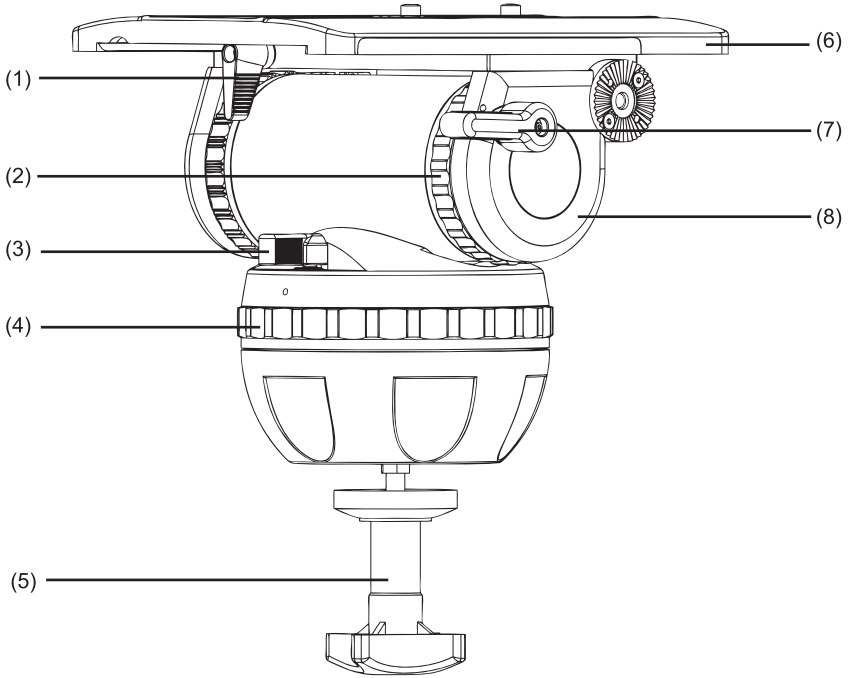
Fig 7



Reach Plus 5 Fluid Head (Right-Hand Side)

- | | |
|------|---------------------------------|
| (9) | Quicklock wedge |
| (10) | Quick release knob |
| (11) | Balance knob |
| (12) | Balance adjustment lever device |
| (13) | Bubble level |
| (14) | Right hand plate |
| (15) | Battery case |

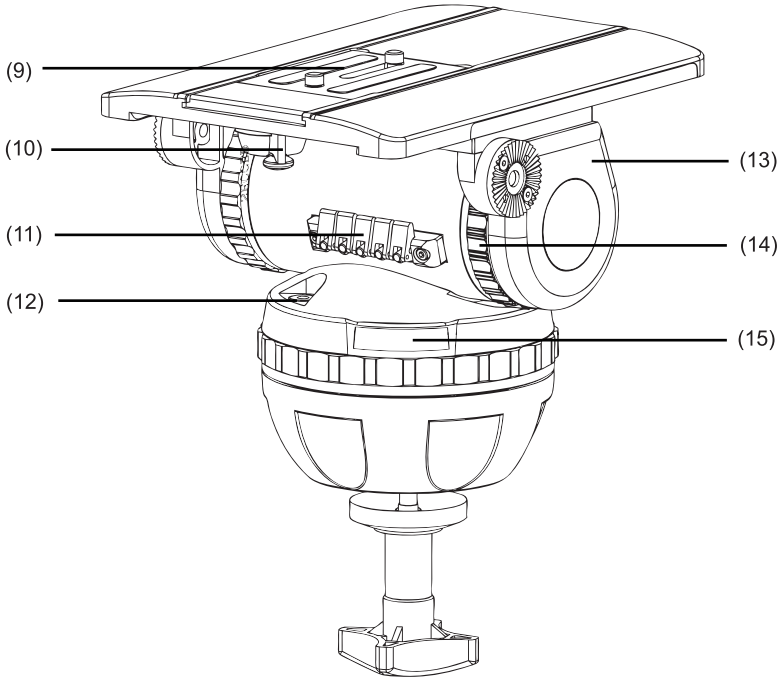
Fig 8



Reach Plus 6 Fluid Head (Left-Hand Side)

- | | |
|-----|---------------------------|
| (1) | Slide plate clamp |
| (2) | Tilt drag adjustment knob |
| (3) | Pan brake knob |
| (4) | Pan drag adjustment knob |
| (5) | Bowl clamp |
| (6) | Slide plate |
| (7) | Tilt brake knob |
| (8) | Left Side Plate |

Fig 9



Reach Plus 6 Fluid Head (Right-Hand Side)

- | | |
|------|---------------------------------|
| (9) | Quicklock wedge |
| (10) | Quick release knob |
| (11) | Balance adjustment lever device |
| (12) | Bubble level |
| (13) | Right side plate |
| (14) | Balance knob |
| (15) | Battery case |

Opening the pan bar

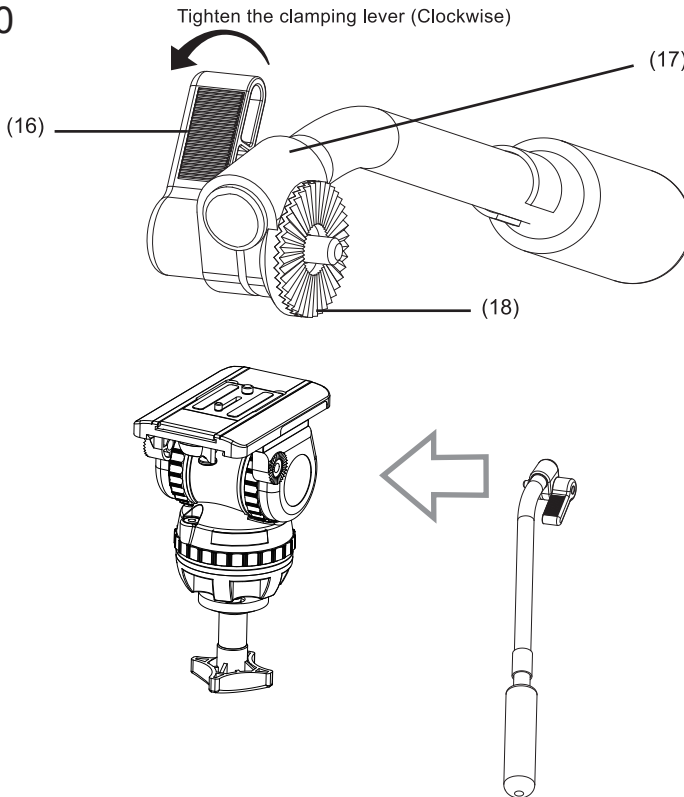
Open the black clamping lever (14) of the pan bar and move the pan bar into the desired position. Apply the clamping lever of the pan bar. During transportation the pan bar can be moved next to the tripod legs.

WARNING!



Open the clamping lever of the pan bar far enough. The teeth of the pan bar clamp should not clatter while moving the pan bar. However, a plastic protector, clamping washer (15) prevents against wear of metal toothed ring. Make sure that the teeth interleave with each other when closing the clamping lever of the pan bar.

Fig 10



(16)

Pan bar clamping knob

(17)

Pan bar clamping sleeve

(18)

Clamping Washer

Mounting the camera

(1) For Reach Plus 0 Fluid Head (See Fig 11)

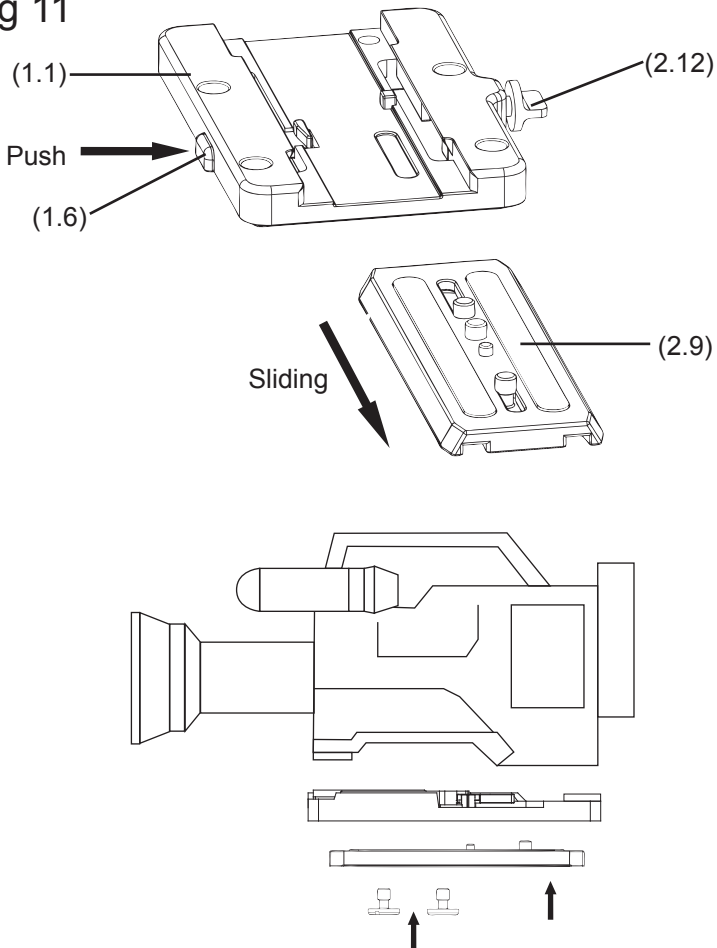
Tighten the tilt brake before mounting the camera

Take down the Quicklock wedge (2.9) by loosening the Brake knob (2.12) and then pushing the Quick release button (1.6) in.

Fit the wedge either to the camera or the camera adaptor with two screws provided. If using the camera adaptor, just mount the camera on the camera adaptor after the wedge is attached with the camera adaptor.

Insert the wedge into the Support plate (1.1) and then tighten the Brake knob (2.12).

Fig 11



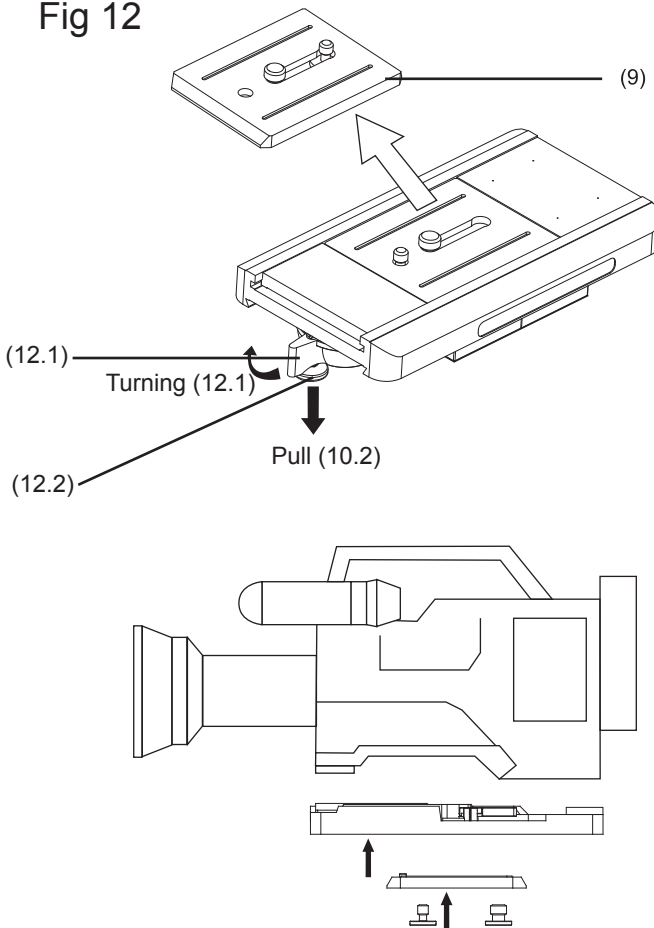
(2) For Reach Plus 1 to 6 Fluid Head (See Fig 12)

Tighten the tilt brake before mounting the camera

Free the Quicklock wedge (9) from slide plate by pulling the locking button (12.2) down and then operating the wedge-releasing lever (12.1) to another end.

Fit the wedge either to the camera or the camera adaptor with two screws provided. If using the camera adaptor, just mount the camera on the camera adaptor after the wedge is attached with the camera adaptor.

Fig 12

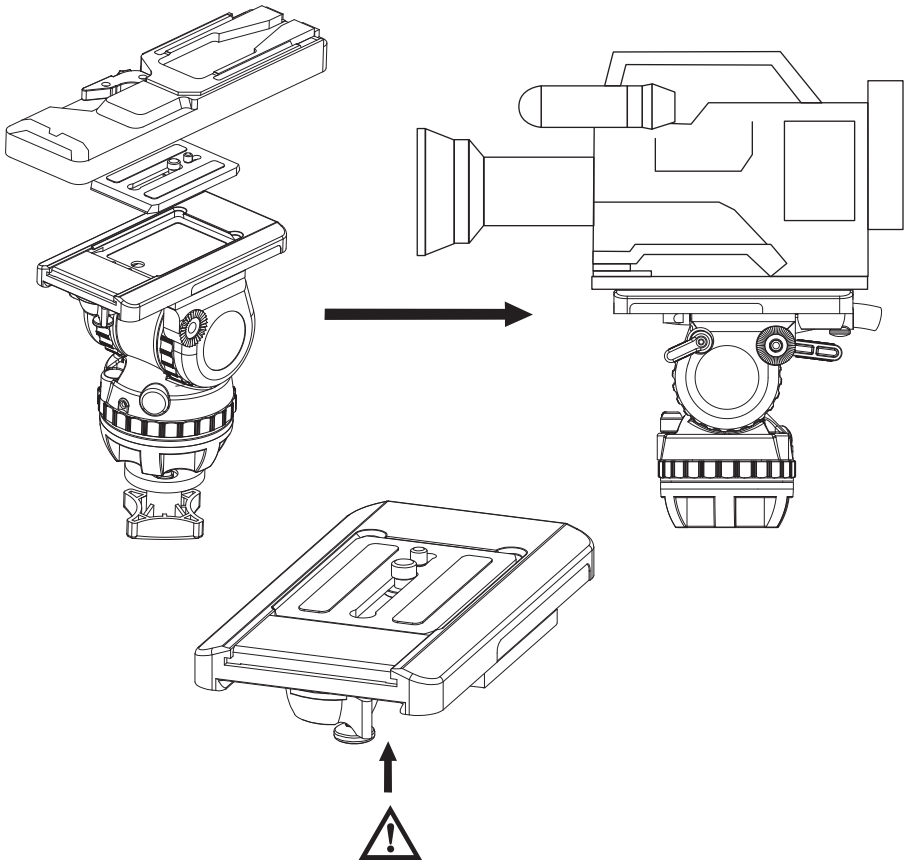


Insert the wedge into the camera plate until an audible click indicates that the Quicklock wedge is locked in position.

WARNING! When mounting the camera/placing the wedge, make sure not to hold fingers within the range of the locking lever (10.1) and camera plate receptacle, since the lever may snap back. When the camera is mounted, the bowl clamp must only be released if camera and tripod are secured against falling away.



Fig 13



WARNING! No finger allowed here

Balancing the head

Balancing the head achieves two objectives. Firstly, when the head is correctly balanced the operator will need a minimum amount of effort to move the head. Secondly, once balanced, the head and its payload can be set to any tilt position and the head will maintain this position with 'hand off'.

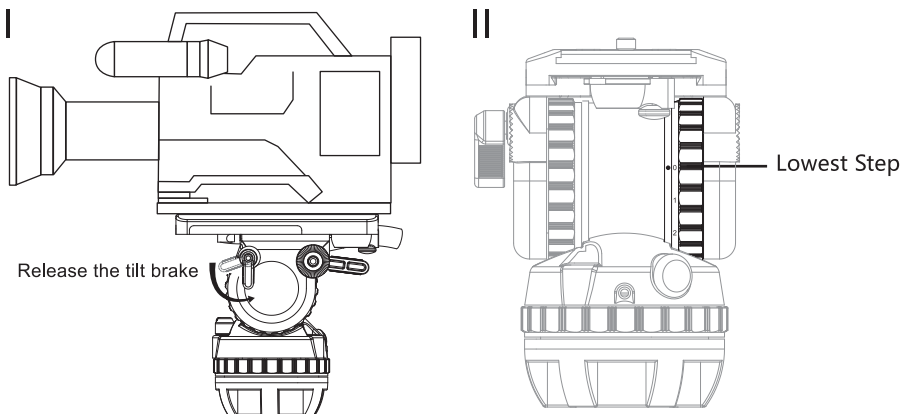
Prior to balancing the head ensure that the pan bars and ancillary equipment have been fitted in order to prevent upsetting the balance once it has been achieved.

WARNING! Be prepared to prevent the head falling away suddenly.



-
-
- I. Release the tilt brake (7).
 - II. Turn the balance knob to position 0 and keep holding the camera.
 - III. Turn the tilt drag to position 0.
 - IV. Hold the camera in the horizontal position by securing the pan bar. Release the slide plate clamp (1) and slide the camera backwards or forward until it balances horizontally. Tighten the slide plate clamp.
 - V. Turn the balance knob to the number which best compensates for the weight of the camera, i.e. for as little movement upward or downward in any position.
 - VI. Select the tilt drag level by turning the tilt drag knob (2). In the correctly chosen position the camera should not perform any tilt movement.

Fig 14.1



Pan and tilt brakes

Friction brakes (6,7) on each axis allow the head to be locked at any chosen position. To apply the brake, turn the lever fully clockwise. To release the brake, turn the lever counter-clockwise.

WARNING!

When the brakes are not in use, make sure the brakes is at the released status. DO NOT use the brakes to supplement drag.



Pan and tilt drag

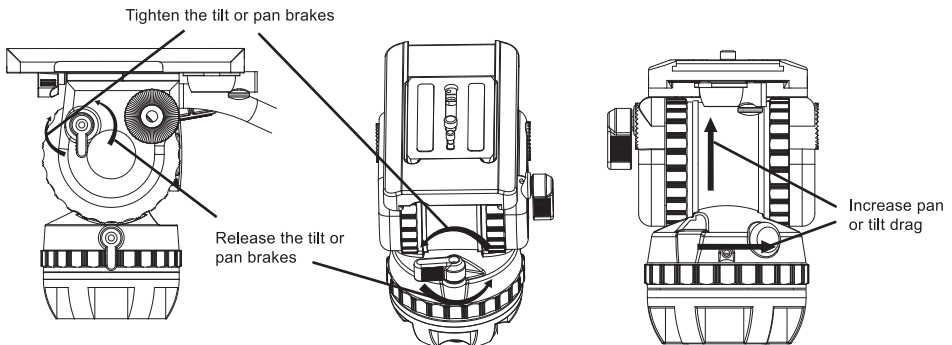
Both drag knobs (2,3) are provided with graduated scales.

By turning the vertical setting and the horizontal setting, selects the desired drag level.

Make sure that you always turn the setting to the next indexed position (arrow). Engage the retainer pins by slowly panning or tilting the camera.

NOTE: Panning or tilting the camera with settings between the indexed positions can damage the retainer pins and/or disks. Reduce drag to a minimum when the head is out of use for long periods.

Fig 15

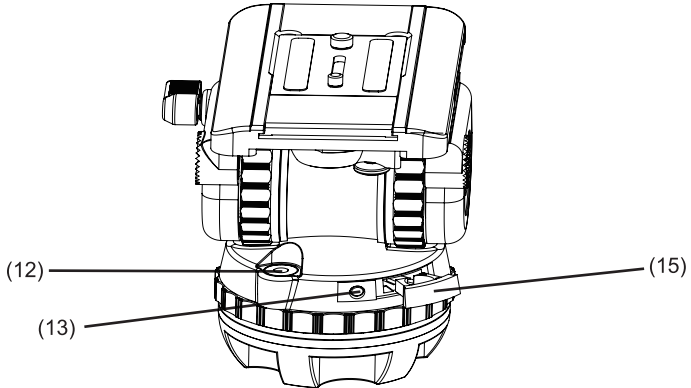


Battery placement

The battery illuminated the level bubble (12) when the switch (13) is pressed. The level bubble remains lit for approximately 11 seconds.

The battery should be replaced yearly or whenever the illumination is considered inadequate. To place the battery, simple pull the battery case (15) and then replace with the new battery.

Fig 16



Servicing

Routine maintenance

During use, check the following

Check the effectiveness of the slide plate, add some grease lubricant onto the slide plate if slide plate do not move when tilting to $+45^\circ$ and -45° (as shown in Figure 17).

Check the effectiveness of the pan and tilt drag controls. Repair as necessary.

Check the effectiveness of the pan and tilt brakes. Repair as necessary.

Check the illumination of the level bubble. Replace battery if necessary.

No further routine maintenance is required.

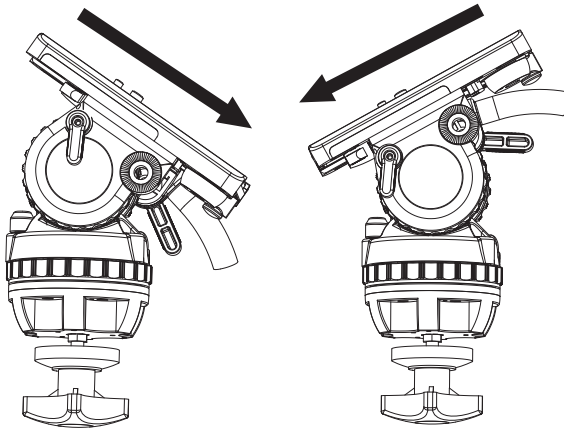
Cleaning

During indoor use the only cleaning required should be a regular wipe over with a lint-free cloth. Dirt accumulated during storage may be removed using a semi-stiff brush. Particular attention should be given to the leveling bowl and mounting face of the head.

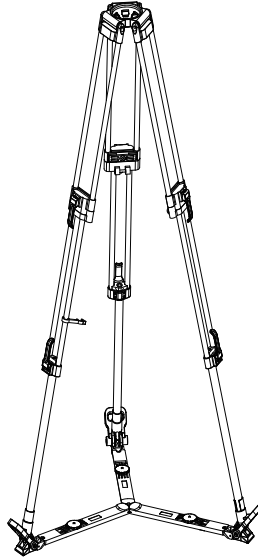
Use out-of-doors under adverse condition will require special attention. Salt spray should be washed off with fresh water at the earliest opportunity. Sand and dirt acts as an abrasive and should be removed using a semi-stiff or vacuum cleaner.

NOTE: Use only detergent-based cleaners. DO NOT use solvent- or oil-based cleaners, abrasives or wire brushers to remove accumulations of dirt, as these damage the protective surfaces.

Fig 17



Tripod



There are 9 models of tripods in Reach Plus series, including aluminium or carbon-fibre materials. They are available in 75mm, 100mm and 150mm bowl mounting. These tripods are compatible with Secced floor spreaders and dollies.

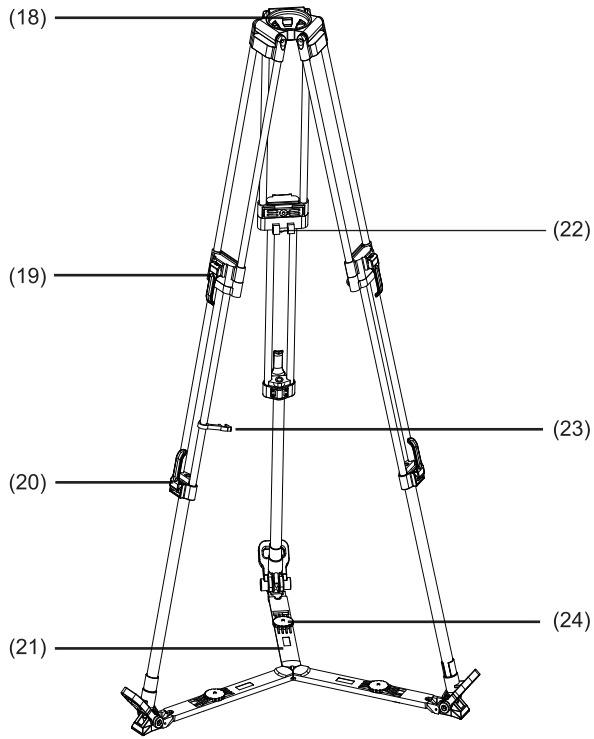
Content

Technical Data	25
Opening and Adjusting height	27
Maintenance	34

Specification

Model	Bowl Diameter	Weight	Payload	Height with Floor spreader	Height with mid spreader	Transportation Length
SC-DV/AL 75D Double stage Aluminum	75mm	3.8kg	20kg	51-147cm	49-142cm	71cm
SC-DV/CF 75D Double stage Carbon-fibre	75mm	3.6kg	20kg	54-150cm	49-142cm	71cm
SC-ENG/AL 100D Double stage Aluminum	100mm	5 kg	35kg	58-155cm	55-151cm	75cm
SC-ENG/CF 100D Double stage Carbon-fibre	100mm	4.36kg	40kg	58-155cm	55-151cm	75cm
SC-EFP/AL 100D Double stage Aluminum	100mm	5.9kg	90kg	62-161cm	59-157cm	78cm
SC-EFP/CF 100D Double stage Carbon-fibre	100mm	4.9kg	90kg	62-161cm	59-157cm	78cm
SC-EFP/AL 150D Double stage Aluminum	150mm	6.4kg	90kg	64-160cm	61-157cm	78cm
SC-EFP/AL 150SM Double stage Aluminum	150mm	5.6kg	90kg	33-85cm	38-86cm	62cm
SC-EFP/CF 150D Double stage Carbon-fibre	150mm	5.4kg	95kg	64-160cm	61-157cm	78cm

Fig 18



-
- | | |
|------|--|
| (18) | Tripod bowl |
| (19) | Top clamp assembly |
| (20) | Bottom clamp assembly |
| (21) | Floor spreader |
| (22) | Mid-level spreader attachment assembly |
| (23) | Locking clip |
| (24) | Clamping knob |
-

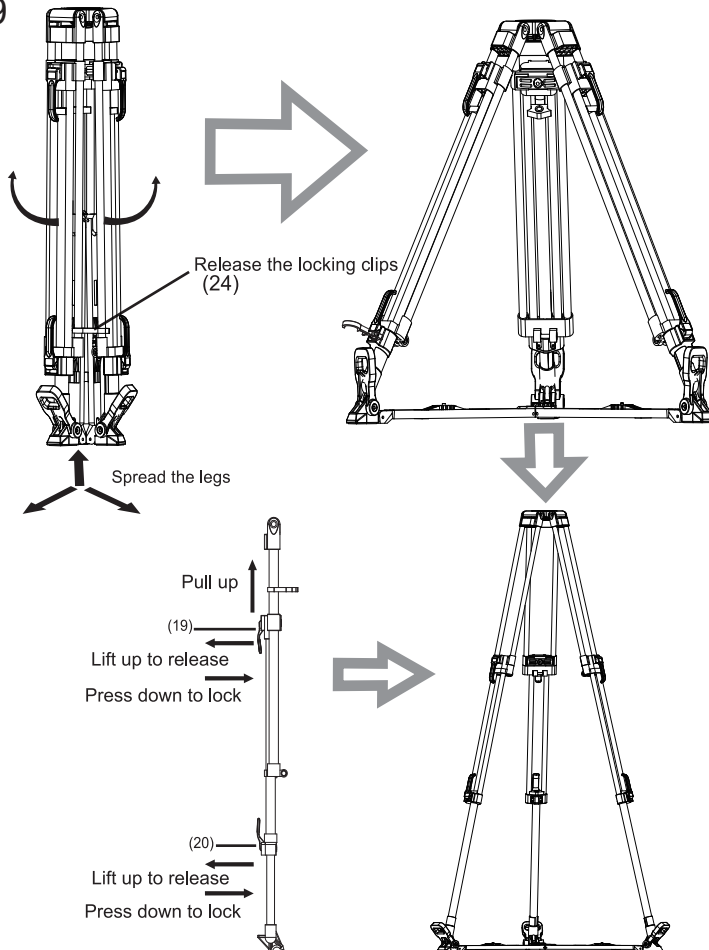
Opening and Adjusting Height

Lift the complete tripod and head out of the case and keep the floor spreader (23) attached to the tripod.

Release the three locking clips (24), open out the legs while holding the legs. Gentle foot or hand pressure on the spreader will ensure that the legs are fully spread.

NOTE: Always use the spreader where possible as this increases rigidity of the tripod. Being flexible, the spreader compensates for uneven ground. It can be removed and a dolly fitted. At the fullest extension of the spreader and with all legs fully retracted, the tripod can be used at its lowest operating height. Although the tripod can be set up lower than this without the spreader, it is NOT recommended as the tripod geometry becomes unstable.

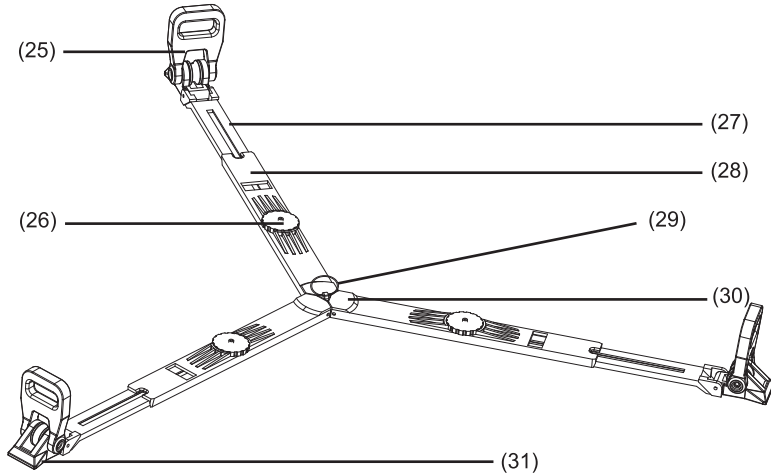
Fig 19



Floor Spreader

SC-FS100 floor spreader is compatible with all Secced Tripods.

Fig 20



NOTE: Always use the spreader where possible as this increases rigidity of the tripod. At the full extension of the spreader and with all legs fully retracted, the tripod can be used at its lowest operating height. Although tripods can be set lower than this without spreader, it is NOT recommended as the tripod geometry become unstable.

Parts List

(27)	Foot retaining strap
(28)	Clamping knob
(29)	Inner leg
(30)	Outer leg
(31)	Lift ring
(32)	Core connecting assembly
(33)	Foot support

Installing the floor spreader

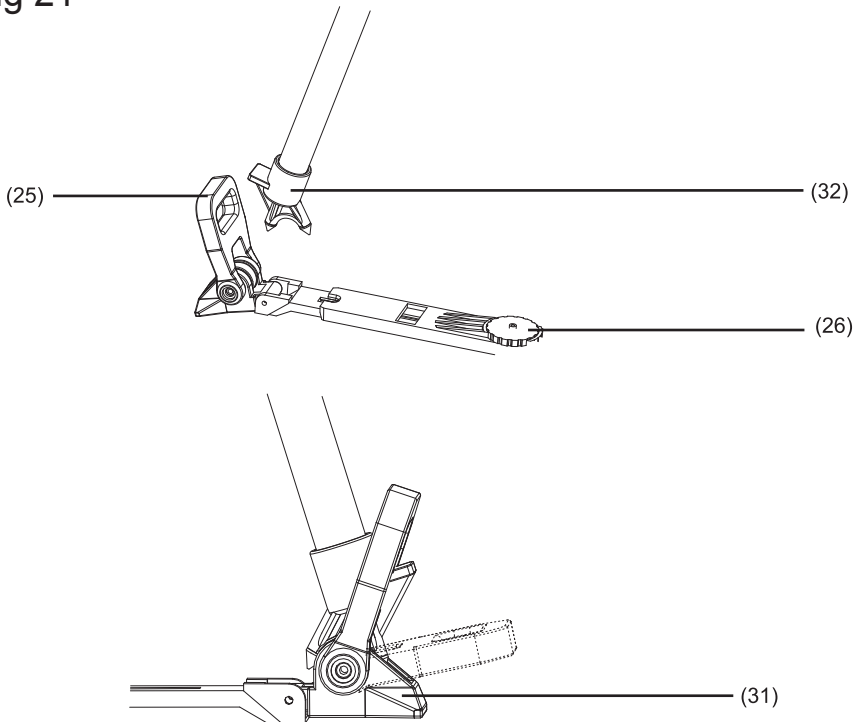
To install a floor spreader onto a tripod proceed as follows:

Unfold legs of spreader and place flat on the ground. Ensure three clamping knobs (26) are engaged.

Lower tripod onto the spreader and locate the feet (32) onto the three foot supports (31).

Secure tripod onto spreader by engaging three foot retaining straps (25) to each foot of the spreader.

Fig 21



Adjusting the spreader

NOTE: Floor spreaders protect floors and carpets as well as protecting the tripod legs sinking into soft ground and should be used at all time. If the floor spreader cannot be used, use secnovo rubber feet and middle-level spreader.

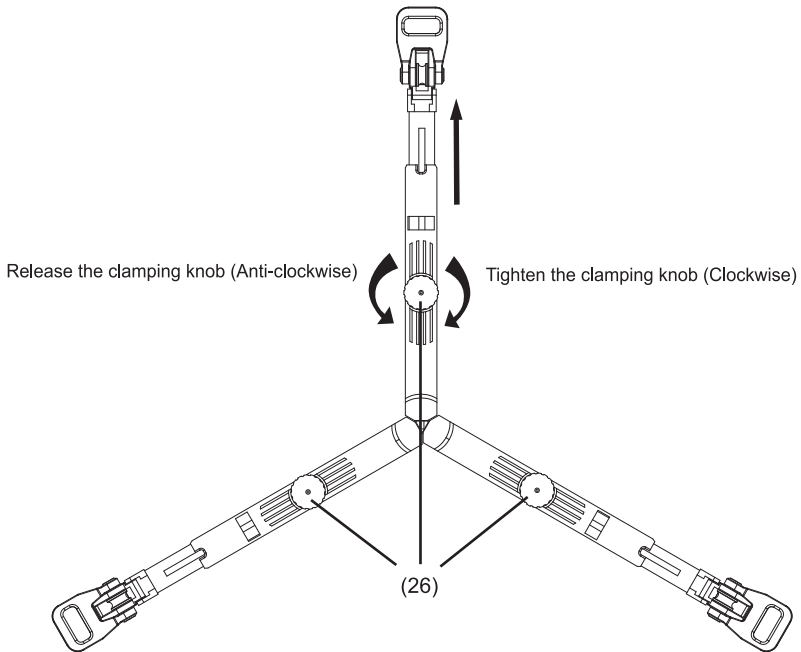
Once the tripod is installed, the floor spreader can be adjusted as follows:

Slacken three clamping knobs (26) on spreader.

Set legs of tripod to required position and height and ensure they are locked.

Once the tripod is positioned correctly, apply three clamping knobs. The spreader does not have to be removed when collapsing the tripod.

Fig 22

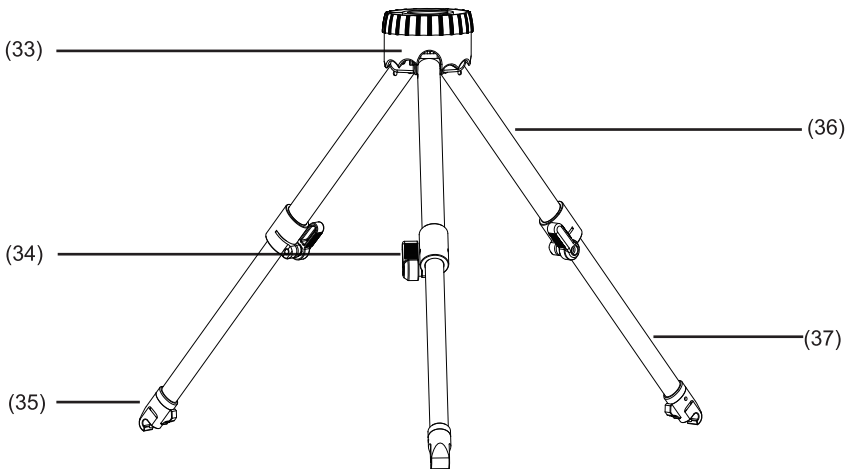


Mid Level Spreader

There are two types of mid level spreader available, DV mid level spreader and ENG mid level spreader, they are compatible with Secced DV tripod and ENG tripod respectively.

Only one type of rubber feet are available, compatible all type of tripods from Secced.

Fig 23



-
- | | |
|------|--------------------------|
| (33) | Spread-locking knob |
| (34) | Extension release button |
| (35) | Attachment head |
| (36) | Outer arm |
| (37) | Inner arm |

Installing the mid-level spreader and rubber feet

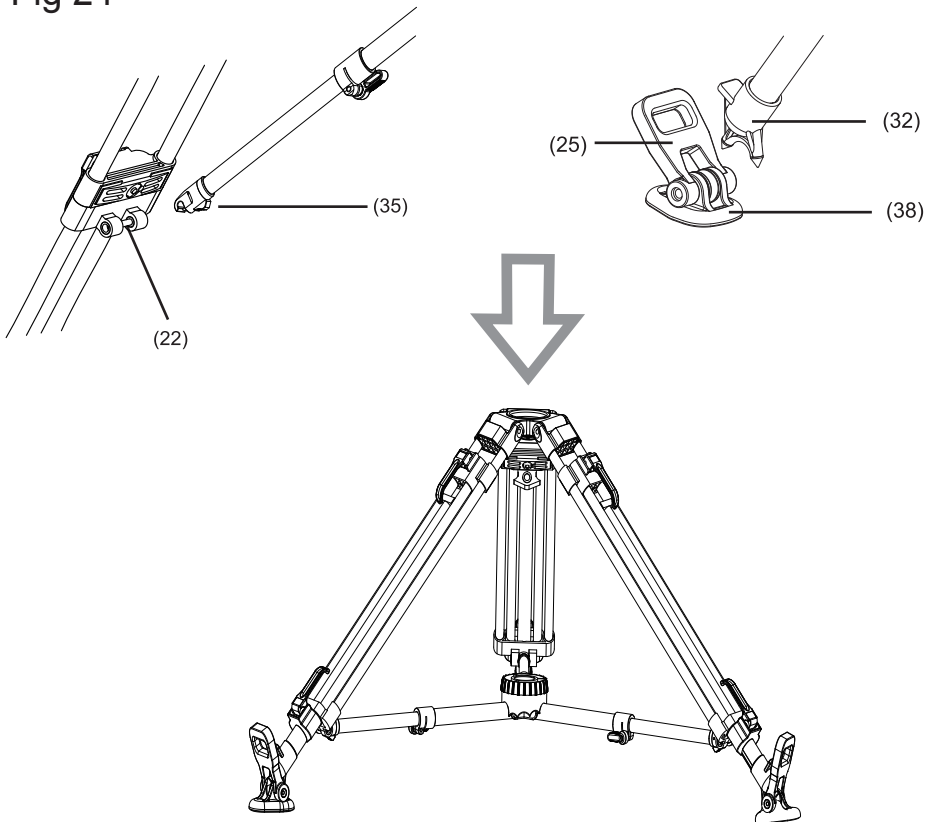
To install the spreader

Grip the ends of each arm in turn and attach the head of mid level spreader (35) to shaft (22) on the tripods, make sure the head of mid level spreader complete engaged.

The rubber foot has to be used when adopting the mid-level spreader, just locate the feet (32) onto the three rubber feet (38) and engage the three foot retaining straps (25) to each foot of tripod.

NOTE: Ensure the extension release knob of mid level spreader is tightened.
All rubber feet are correctly attached with tripod.

Fig 24



Adjusting the spreader

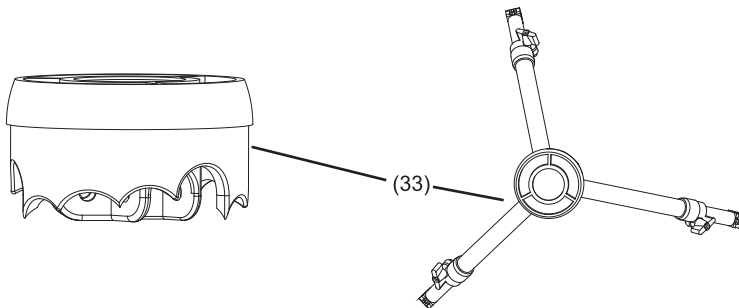
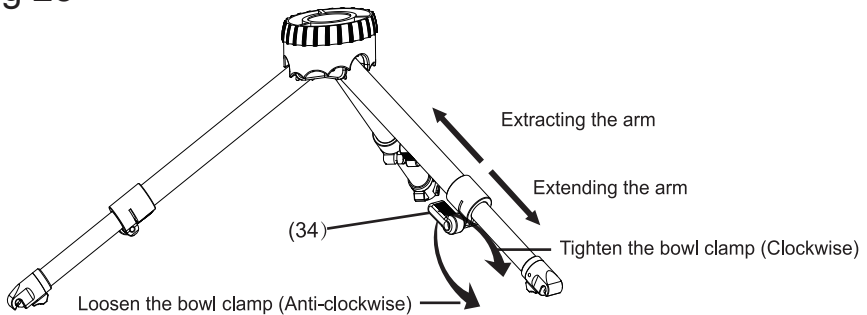
There are two controls on the spreader. Spread-locking knob(33) and extension release knob(34).

Spread-locking knob locks the mid-level spreader in position. With the particular length of arm, by turning the spread-locking knob, the height of the spreader can be adjusted

The spreading scope of tripod can be adjusted by turning the spread-locking knob.

Extension release knobs are fitted on each arm of the mid-level spreader. When slackened, the arm can be extended or extracted. This facility is particularly useful when the tripod is in use on uneven ground.

Fig 25



Servicing

Cleaning

During indoor use the only cleaning required should be a regular wipe over with a lint-free cloth. Dirt accumulated during storage may be removed using a semi-stiff brush. Particular attention should be given to the mounting bowl of tripod.

Use out-of-doors under adverse condition will require special attention. Salt spray should be washed off with fresh water at the earliest opportunity. Sand and dirt acts as an abrasive and should be removed using a semi-stiff or vacuum cleaner.

NOTE: Use only detergent-based cleaners. DO NOT use solvent- or oil-based cleaners, abrasives or wire brushers to remove accumulations of dirt, as these damage the protective surfaces.

Routine maintenance

During normal use, check the effectiveness of the leg clamps and adjust as necessary.

Reach Plus Tripod Kit Configuration

Kit	Fluid Head	Tripod	Pan Bar	Floor Spreader
Reach Plus 0	SC-DV4/75RP	SC-DV/AL 75D OR SC-DV/CF 75D	SC-PB10	SC-FS100
Reach Plus 1	SC-DV6/75RP	SC-DV/AL 75D OR SC-DV/CF 75D	SC-PB10	SC-FS100
Reach Plus 2	SC-DV10/75RP	SC-DV/AL 75D OR SC-DV/CF 75D	SC-PB15	SC-FS100
Reach Plus 3	SC-V15/100RP	SC-ENG/AL 100D OR SC-ENG/CF 100D	SC-PB15	SC-FS100
Reach Plus 4	SC-V20/100RP	SC-EFP/AL 100D OR SC-EFP/CF 100D	SC-PB20	SC-FS100
Reach Plus 5	SC-V25/150RP	SC-EFP/AL 150D OR SC-EFP/CF 150D	SC-PB20	SC-FS100
Reach Plus 6	SC-V65/150RP	SC-EFP/AL 150SM	SC-PB20	SC-FS100

Reach Plus Tripod Kit

In Reach Plus Tripod Kit, fluid head, tripod and floor spreader are connected. When you receive products, it is in transportation status (Fig 26), please operate as follows:

Release three clip ring (23), spreader out the tripod, and press lightly on floor spreader to make sure every leg are spreaded completely. Then installing the pan bar.

According to requirement of operators, adjusting the height of tripod.
Mounting and balancing the camera based on previous guide.

NOTE: Make sure the extension release knob of mid level spreader are tightened when using.
Make sure clamping levers of tripods are tightened when using.
Make sure clamping knob of head are tightened when using.
Make sure quick release knob of wedge plate are tightened when using.
Make sure clamping knob of slide plate are tightened when using.

Fig 26.1

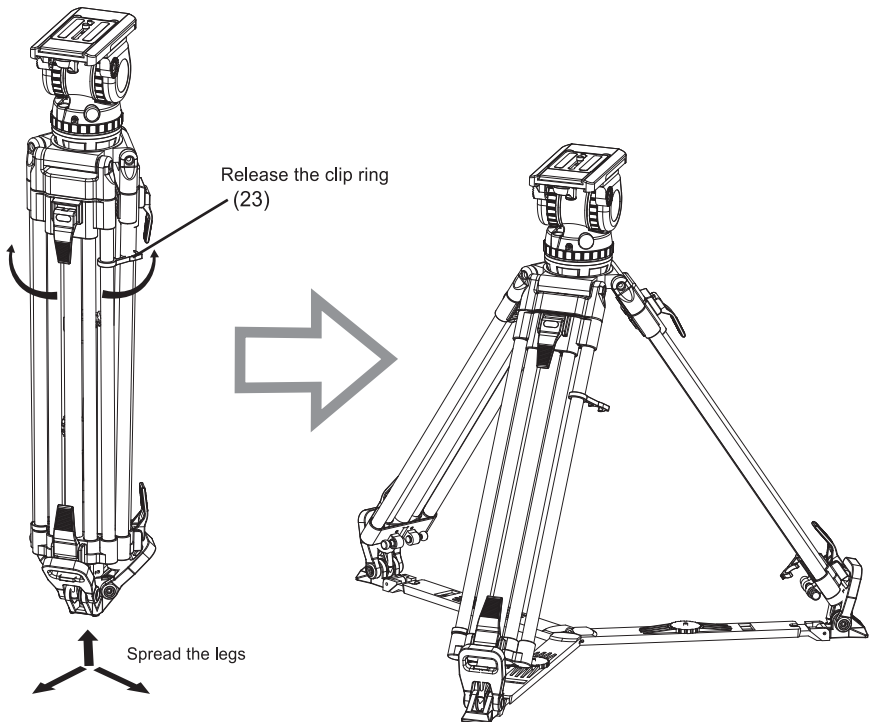
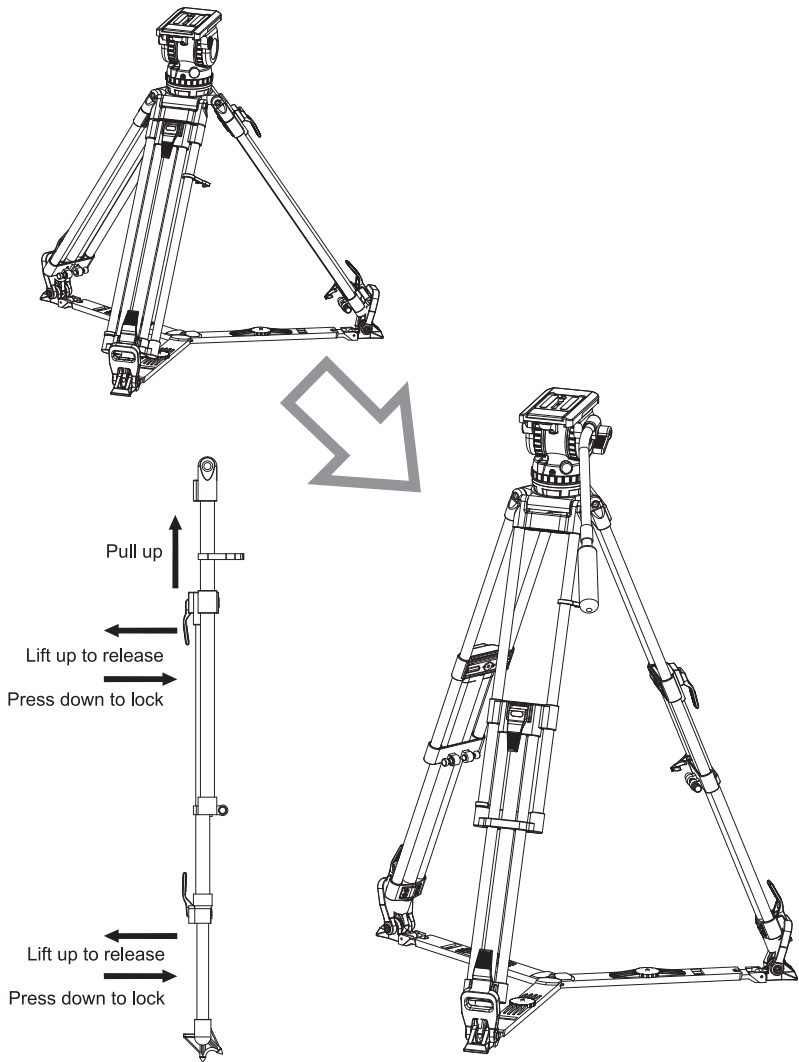


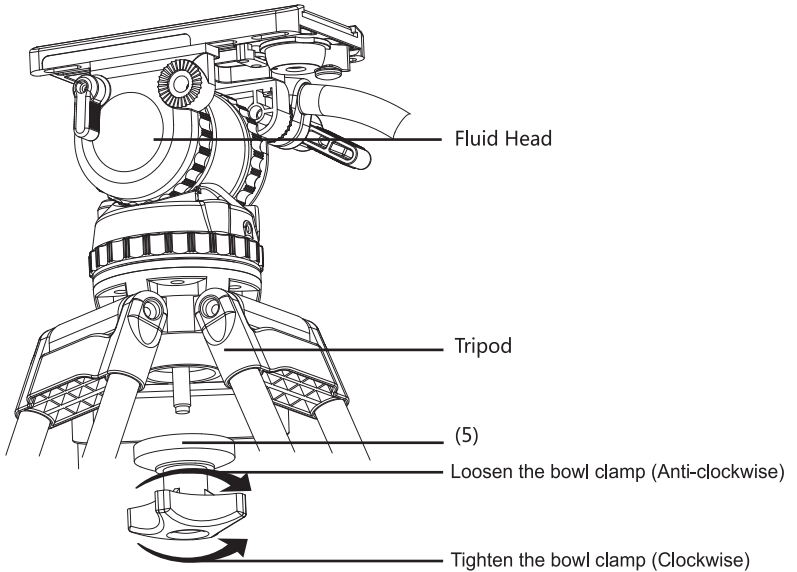
Fig 26.2



Installing the head on a tripod

To install the head, remove the bowl clamp (5) from the head (turn bowl clamp anti-clockwise as in Figure 27), position the head on the tripod and refit the bowl clamp from below. Level the head with aid of level bubble and apply the bowl clamp (turn bowl clamp clockwise as in Figure 27). The level bubble may be illuminated by pressing the switch. The light will extinguish after approximately 11 seconds.

Fig 27



Servicing

Cleaning

During indoor use the only cleaning required should be a regular wipe over with a lint-free cloth. Dirt accumulated during storage may be removed using a semi-stiff brush. Particular attention should be given to the mounting bowl of tripod.

Use out-of-doors under adverse condition will require special attention. Salt spray should be washed off with fresh water at the earliest opportunity. Sand and dirt acts as an abrasive and should be removed using a semi-stiff or vacuum cleaner.

NOTE: Use only detergent-based cleaners. DO NOT use solvent- or oil-based cleaners, abrasives or wire brushers to remove accumulations of dirt, as these damage the protective surfaces.

Routine maintenance

During normal use, check the effectiveness of the leg clamps and adjust as necessary.

Packing List

The following lists include main assemblies, user-replaceable spare parts and optional accessories. For further information regarding repair or spare parts, please contact Secced. Co., Ltd or your local distributor.

For information on-line, visit our website at

www.secced.com

Main assemblies

Fluid head
Tripod
Pan bar
Floor spreader

User-replaceable spare parts

Wedge plate
Tilt/Pan brake knob
Up clamping lever

Optional accessories

Mild level spreader
Rubber feet
Camera adaptor
Dolly
Soft Bag

Beijing United Victory Co.,Ltd

10-1Xisha Industrial zone,Beiqijia Town,Changping district,102209 Beijing,China

www.secced.com