

RemoteMix 4™

Broadcast Field Mixer

7 kHz
HD VOICE



FEATURES

	2	3.5	4
» HD Voice (Wide-Band Speech)	•	•	•
» Works with Analog and Digital PBX or VoIP Phones		•	•
» Connects to Wireless Phones & Notebooks	•	•	•
» Bluetooth Wireless Technology		•	•
» 4-conductor 3.5mm Headset Interface	•	•	•
» XLR Mic Jacks	2	3	4
» Mic/Line Pad Switch	•	•	•
» Individually Switchable 48 Volt Phantom Power			•
» ¼" Headphone Jacks with Individual Level Controls	2	3	4
» Individual Headphone Source Selector			•
» 3.5 mm Send and Receive Jacks	•	•	•
» LED VU Meter	•	•	•
» Phone Line Hybrid with DTMF Keypad	•	•	•
» Redial Button		•	•
» Handset Selector Switch (Electret, Carbon, Dynamic)		•	•
» Bass Boost			•
» Hot Swappable Dual 9V Batteries and 120-240 VAC External Power Supply	•	•	•

Remote Mix 2 and RemoteMix 3.5 shown for comparison

2 = RemoteMix 2 **3.5** = RemoteMix 3.5 **4** = RemoteMix 4

More than just a Field Mixer. RemoteMix 4 is a four-channel field mixer and headphone amplifier. More than just a field mixer, this is a universal communications interface. RemoteMix 3.5 features a phone line hybrid and keypad, a PBX handset interface, and both wired and wireless cell phone interfaces. These parts were designed to work together, saving setup time in the field.

Radio. RemoteMix 4 is perfect for sports remotes. Use it as a phone line hybrid, calling into your studio talk show hybrid. Use it as a front-end mixer for your POTS, ISDN, IP or smart phone codec.

TV. RemoteMix 4 gives you the ultimate phone connectivity with four ¼" IFB headphone feeds. Send and receive interview audio and pull IFB out of any business phone system, even your cell phone or notebook.

Great Sound. A soft limiter prevents overdriving the phone line interfaces, while the mixer XLR output is pre-limiter (full range). Convenient 3.5mm send and receive jacks for recording the show, or mixing in your MP3 player.

Bluetooth Wireless Technology. Route audio through your cell phone or notebook using Bluetooth Wireless Technology. The Bluetooth interface will connect in hands free mode allowing a two way 3.4 kHz telecom bandwidth connection. The Bluetooth interface can also connect in wireless headphone mode offering a 20 kHz audio bandwidth, listen-only connection.

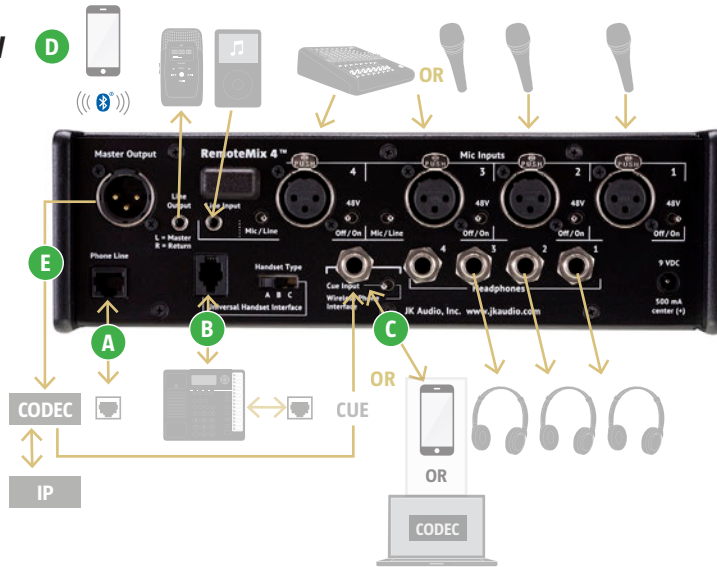
Power Smart Design. Low noise, low power ICs are used throughout either of these mixers to preserve battery life. The low noise 100-240 VAC desktop style power supply (included) overrides the battery power only when the supply is actually providing power. If the power goes out, the batteries automatically cut in. 20 kHz audio bandwidth, listen-only connection. The phantom power generator in the RemoteMix 4 only runs if any of the rear panel 48 V switches are set to "ON".

RemoteMix 4™

Broadcast Field Mixer

**7 kHz
HD VOICE**

REAR VIEW

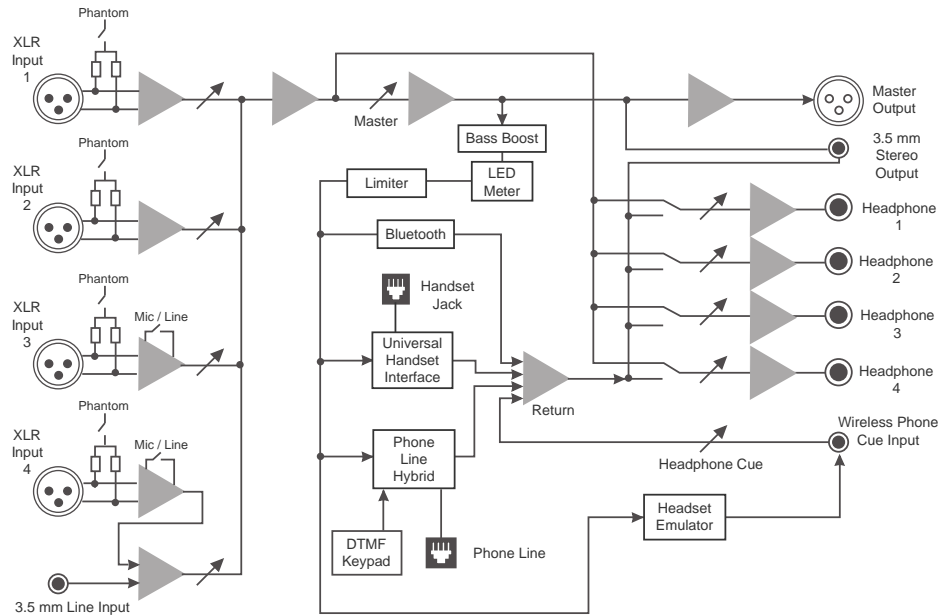


Talk about backup...

5 ways to get the signal back to the station.

- A. Dial in with the internal phone line hybrid,
- B. Connect through any PBX or VoIP telephone through the Universal Handset Interface,
- C. Plug into the headset jack of your phone or notebook,
- D. Pair to any Bluetooth audio device
- E. Use as a front end mixer for your CODEC.

BLOCK DIAGRAM



SPECIFICATIONS

Input

Female XLR Mics:	2k ohms / -25 dBu nom (Mic/Line pad switch = +6 dBu max)
1/8" (3.5mm) Stereo Line:	20k ohms / -10 dBu nom
Headphone Cue 1/4":	20k ohms / -10 dBu nom

Bluetooth Wireless Technology

Standard:	Bluetooth 3.0
Frequency Response:	Hands-Free (Full Duplex): 300 Hz– 3.4 kHz Hands-Free (Full Duplex HD): 50 Hz– 7 kHz A2DP (Master » Headset): 30 Hz–17 kHz
Range:	33 ft (10m)

Output

Balanced Male XLR:	+16 dBu max, 20 Hz - 20 kHz, +/- 1dB
1/8" (3.5mm) Stereo:	100 ohms / -10 dBu nom
Headphone 1/4" Stereo:	8 ohms / 1/3 watt per channel
Phone Line Connector:	POTS: RJ11C, PBX: RJ22
Ringer:	0.5B REN
Isolation:	1500 VAC
Power:	100-240 VAC, 50-60Hz External Power Supply or Two 9 VDC batteries
Size:	9.5" x 8" x 3"
Weight:	3.8 lbs (1.72 kg)

