

## Overview

DME7 is an open architecture-type digital signal processor, which offers state-of-the-art performance and connectivity, 96 kHz sound quality and support for up to 256 input/output channels. Suitable for a wide range of performance-based and commercial audio applications, DME7 takes Yamaha signal processors into a new era.



## Features

- 64 channels of Dante I/O and 64x64 Matrix Mixer at 96kHz as standard
- Dante I/O and Matrix Mixer capacity can be expanded with the optional expansion license kit DEK-DME7-DX64. Each DEK-DME7-DX64 license increases Dante I/O and Matrix Mixer capacity by a further 64 channels, up to a maximum of 256x256.
- Dual Redundant power supplies for mission critical applications
- Easy system design, setup, and operation via ProVisionaire Design software
- 8-channel USB audio interface (USB 2.0 Type C)
- SD Card slot for playback of MP3/WAV audio files
- Built-in processing solutions include - Dugan Automixer, Acoustic Echo Canceller, Delay Matrix, and FIR speaker processing\*.
- Remote control of levels and snapshots via the DCP series of wall mount controllers
- Network remote control available via TCP/IP and OSC
- External Event function for control of 3rd party devices via TCP/UDP
- 16In/8Out GPI ports
- Control layer allows for programming complex series of custom logical sequences
- MIDI control for interfacing with legacy systems
- ProVisionaire Control, ProVisionaire Control Kiosk and ProVisionaire Touch Kiosk software provide quick and powerful custom control panel design and deployment
- Extremely low mechanical noise output meeting NC20 requirements

\* Only loading of preset data is supported

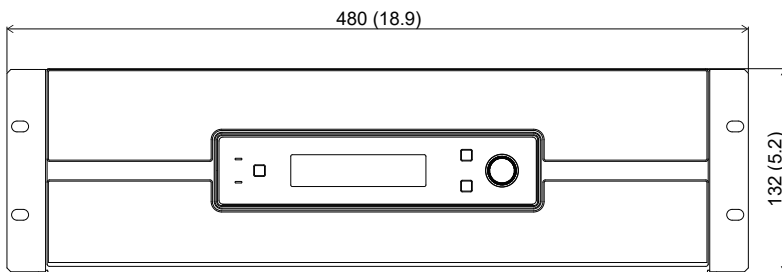
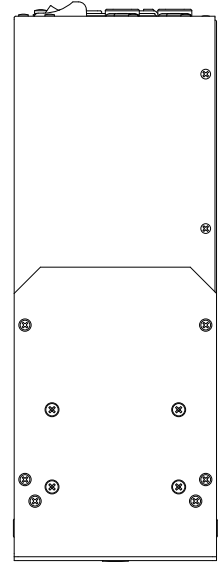
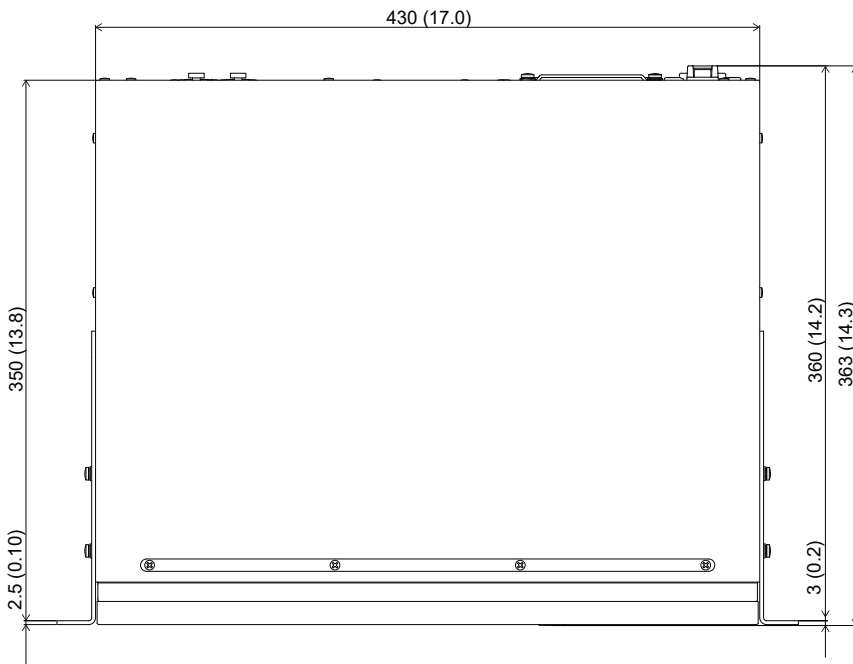
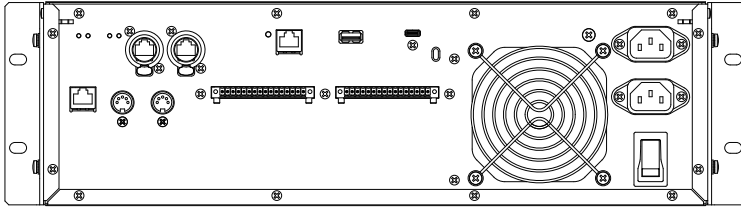
## Specifications

### General Specifications

Internal processing		44.1/48/88.2/96 kHz	
Latency		2.7msec (at Rio-D2 analog input/output with Dante latency at 0.25 msec, Dante through output on DME7)	
Memory		Parameter sets: 1000 Snapshots: 10000	
Cooling		Constant-speed fan x1	
Fan noise		NC20 (1m from front panel)	
Dante interface	Channel count	64IN, 64OUT, redundant (expandable to 256IN, 256OUT)	
	Sampling frequency	44.1/48/88.2/96 kHz	
	Bit depth	24/32 bits	
USB audio	Channel count	8 inputs, 8 outputs with SRC	
	Sampling frequency	44.1/48/88.2/96 kHz	
Connectors	Dante	etherCON x 2 (PRIMARY / SECONDARY) 1000Base-T	
	DCP	RJ45 x 1	
	USB TO HOST	USB 2.0 Type-C connector for USB audio	
	USB TO DEVICE	USB 2.0 Standard-A Connector for Save/Load	
	Network	RJ45 x 1 100Base-TX	
	GPIO	Euroblock 16 terminals (mini) x2 (GPI x16, GPO x8, +5V power supply x4)	
	MIDI	DIN 5 pin x2 (IN, OUT)	
	AC IN	AC inlet (IEC, V-Lock) x 2	
	Memory device specifications	Compatible formats	File format: FAT32, FAT16
		Supported capacity	Maximum media capacity: SDHC: Maximum 32 GB SD: Maximum 2 GB
Maximum file size		FAT16: Maximum 2 GB FAT32: Maximum 4 GB	
Controls	Front panel	Rotary encoder and buttons for GUI control Operation lock feature (Full lock or Lock except volume and mute)	
	Display	224 × 48 pixels, mono color with brightness adjustment	
AC power requirement		100V-240V 50Hz/60Hz	
Power consumption		100W	
Heat dissipation		86.3kcal/h	
Operating temperature		0°C to +40°C	
Storage temperature		-20°C to +60°C	
Dimensions (W x H x D)		480 x 132 x 363mm (3U) (18.90 x 5.20 x 14.29inch)	
Weight		9.5kg (20.94lbs)	
Rackmount conditions		No limit	
Finish		Front panel: Aluminum (black anodized) Munsell approximate value N2.5 Handle: Metal (black paint)	
Included items		Setup Guide Two Euroblock plugs (16-pin, 3.50 mm pitch) Two power cords One cable hook	
Separately sold items		DCP4S-US/EU DCP1V4S-US/EU DCP4V4S-US/EU DCH8	
Expansion license		DEK-DME7-DX64	

## Dimensions

Unit: mm (inch)



## Architectural and Engineering Specifications

---

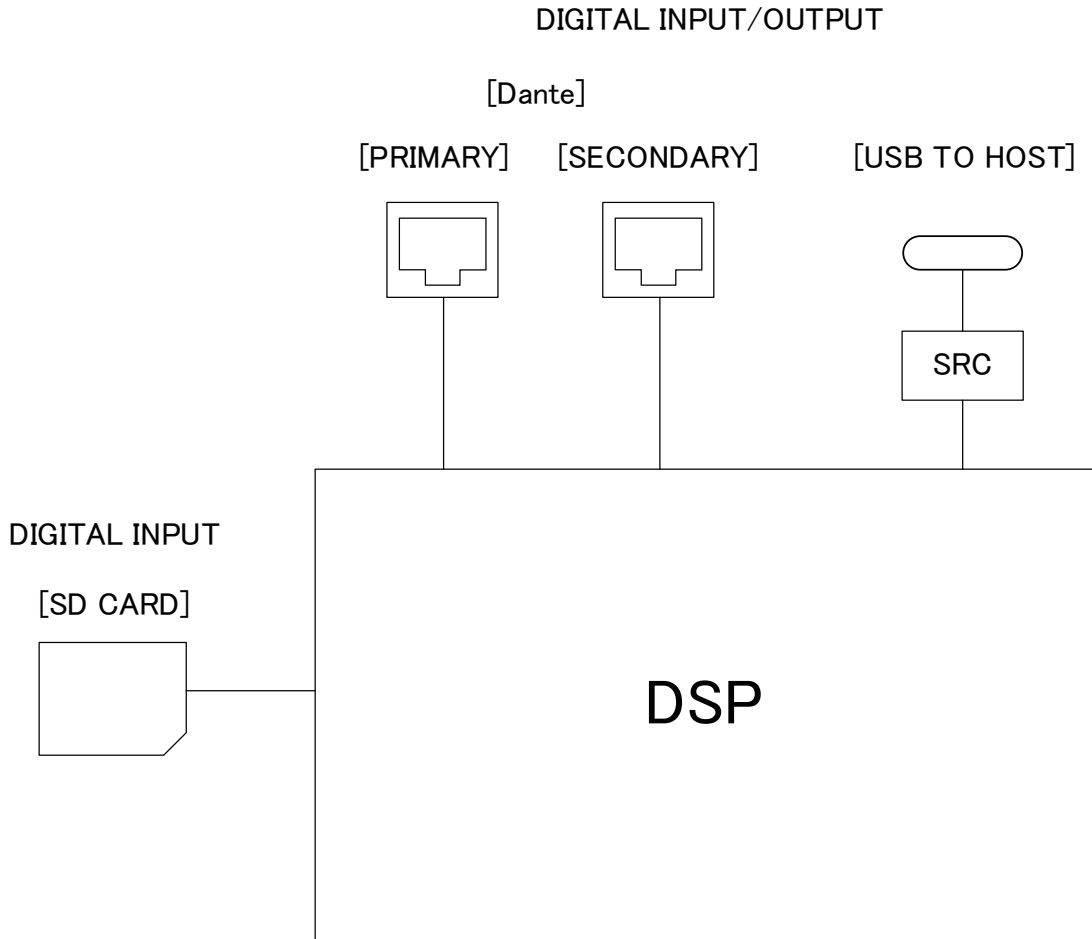
The Yamaha DME7 Signal Processor shall be a 19" rack mount, high-performance open-architecture digital signal processor for professional audio systems. Internal system configurations and signal routing for the DME7 shall be created by using the ProVisionaire Design software application, downloadable from the Yamaha website at no cost. ProVisionaire Design shall allow DME7 audio and control components to be freely and flexibly laid out, and internal parameters to be adjusted to meet system requirements. A large number of audio components for audio and live performance system design shall be supported, from essentials such as Combiner, Delay, Dynamics, Effect, EQ, Filter, Meter, Matrix Mixer, Router, Source Selector, and Speaker Processor to high-level functions such as Comp260, DCA, Dugan Automixer, Rev-X reverb and others. Utility and administrative functions shall be available via a basic control and display interface on the DME7 front panel. A Control Layer shall be supported for custom logic control. Audio input and output shall be managed via a Dante network audio interface having primary and secondary EtherCON connectors for redundancy.

The Dante network audio interface shall be capable of handling up to 64 channels of audio input and output at 96kHz, expandable to 256 channels of audio input and output at 96kHz (64-channel licenses required). The DME7 shall provide digital audio processing at 44.1, 48, 88.2, and 96 kHz Fs. A USB TO HOST connector shall allow the DME7 to be directly connected to a computer via a USB cable, functioning as an 8-in/8-out audio interface with a sampling frequency of up to 96 kHz. The DME7 shall have 16x8 GPI I/O ports and an RJ45 Ethernet port to allow remote control from computer software and 3rd party control systems. A separate RJ45 DCP port shall be provided for connection to dedicated DCP-series wall mount control panels. MIDI IN and OUT DIN terminals shall be provided for communication and control via MIDI messages. A USB TO DEVICE connector shall allow the DME7 to be connected to an external USB memory device for convenient project file storage and retrieval. An SD memory card slot on the DME7 front panel shall provide a further way to export project files and logs and allow playback of stereo MP3 or WAV files. TCP/IP and OSC control protocols shall be supported for external remote control via network. External 3rd party devices shall be controllable from DME7 using TCP/UDP via network.

The DME7 shall be powered by dual internal universal power supplies for power redundancy with dual IEC V-lock AC inlets. Rated power consumption shall be 100 watts. Cooling shall be maintained by a single fixed-speed fan with an NC20 noise rating. Dimensions shall be 480 x 132 x 363 mm. Weight shall be 9.5 kg.

The Device shall be the DME7 by Yamaha Corporation

## Block Diagram



\*All information subject to change without notice.

\*All trademarks and registered trademarks are property of their respective owners.

Created in June, 2023