

# SONIFEX

Redbox RB-SS10

10 Way Stereo Analogue Source Selector/Mixer

2014-15  
Catalogue





## RB-SS10 10 Way Stereo Analogue Source Selector/Mixer



**Category:** Mixers, Source Selectors & Switchers.

**Product Function:** Mixes or routes up to 10 stereo inputs to one stereo output with front panel & remote button control.

**Typical Applications:** For monitoring multiple stereo audio sources, as a studio on-air switcher.

**Features:**

- Individual channel gain controls.
- Mix mode available.
- Optional channel selection through remote control.
- Front panel selection Inhibit.
- Headphone monitoring of output.
- Simultaneous routing of GPIO with audio.

The RB-SS10 10 way stereo analogue source selector/mixer is a 1U rack-mount unit that produces a stereo analogue audio output from 10 selectable stereo analogue sources. There are 10 illuminated front panel push-buttons, which select and indicate the current channel selection. The selection and indication is also available through a remote connector on the rear panel. To stop accidental front panel selection there is a remote input to inhibit the front panel buttons.

Two of the stereo inputs are on XLR so that you can hot-plug audio sources, e.g. portable recorders.

As well as being able to act as a source select module, the RB-SS10 can act as a mixer, by enabling the mix mode (using the remote input).

The gain for left and right inputs can be individually adjusted by using the pre-set potentiometers on the front panel.

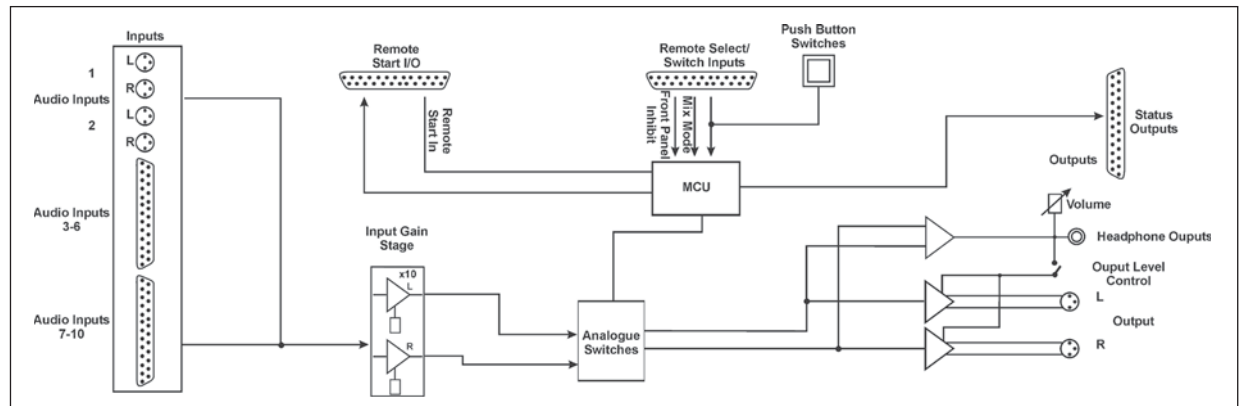
As well as routing the selected audio signal, the unit will also route a remote signal input through the remote connector to the selected input source, for starting external audio equipment such as a CD player.

The front panel headphone output has its own volume control, which is independent of the level adjustment for the main outputs, and has a maximum output level of +12dBu.

The volume control can be made to also alter the output level of the main XLR outputs by using a switch on the rear panel to enable/disable this feature.

There is a designation strip on the front panel, useful for giving the buttons a meaningful description. The strip covers the input gain controls so that once configured, they can't easily be altered - ideal for installation work.

The LED on the front panel is used to indicate that power is present on the unit.



RB-SS10 Flowchart.

### Specification For RB-SS10

Audio Specification	
Input Impedance:	20kΩ bridging
Output Impedance:	<50Ω
Maximum Input Level:	+28dBu
Maximum Output Level:	+28dBu
Frequency Response:	20Hz to 20kHz ±0.1dB (600Ω load, ref 1kHz)
Input Gain Range:	Adjustable 8dB loss to 20dB gain (L & R adjust).
Common Mode Rejection:	>66dB typically
Noise:	-96dB unity gain ref +8dBu
Max Headphone Output Level:	+12dBu

Connections	
Inputs:	4 x XLR 3 pin female (2 x stereo) (balanced, can be unbalanced) 2 x 25 way D-type socket (female) (4 stereo balanced channels on each)
Outputs:	2 x XLR 3 pin male (stereo balanced, can be unbalanced)
Remote Start I/O:	25 way D-type plug (male)
Remote Select/Switch Inputs:	25 way D-type socket (female)
Status Outputs:	25 way D-type socket (female)
Mains Input:	Filtered IEC, 110V-120V, or 220-240V switchable, fused, 6W maximum.
Fuse Rating:	Anti-surge fuse 160mA 20 x 5mm (230VAC) Anti-surge fuse 315mA 20 x 5mm (115VAC)

Equipment Type	
RB-SS10:	10 way stereo analogue source selector/mixer
Physical Specifications	
Dimensions (Raw):	48cm (W) x 10.8cm (D) x 4.2cm (H) (1U) 19" (W) x 4.3" (D) x 1.7" (H) (1U)
Dimensions (Boxed):	58.5cm (W) x 22.5cm (D) x 7cm (H) 23" (W) x 8.9" (D) x 2.8" (H)
Weight:	Nett: 1.5kg Gross: 2.0kg Nett: 3.3lbs Gross: 4.4lbs

# **SONIFEX**

[www.sonifex.co.uk](http://www.sonifex.co.uk)

---

**UK Office:**

**Sonifex Ltd**

61 Station Road, Irthlingborough,

Northants, NN9 5QE, UK

Tel: +44 (0) 1933 650700

Fax: +44 (0) 1933 650726

Email: [sales@sonifex.co.uk](mailto:sales@sonifex.co.uk)

**Australian Office:**

**Sonifex Pty Ltd**

Unit 12/6 Leighton Place, Hornsby,

New South Wales 2077, Australia

Tel: +61 (2) 9987 0499

Fax: +61 (2) 9476 4950

Email: [sales@innescorp.com.au](mailto:sales@innescorp.com.au)