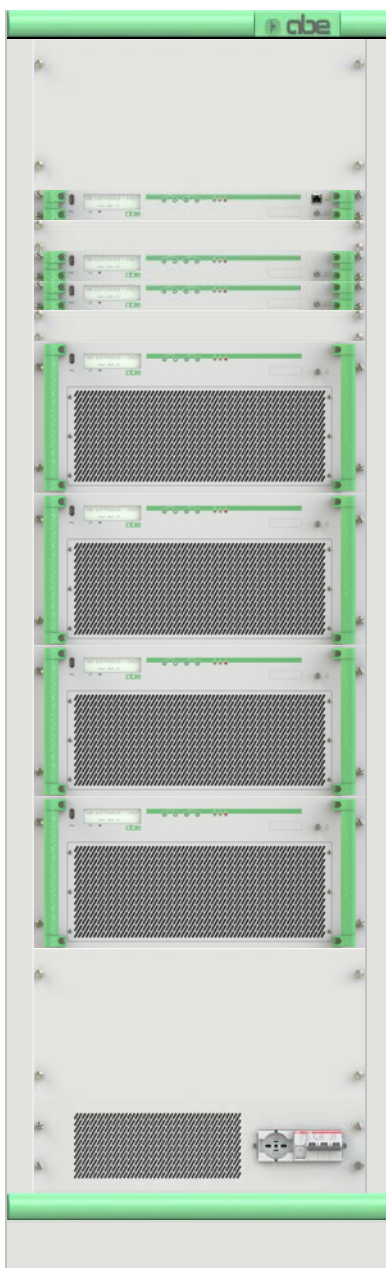




MTX SERIES: MULTISTANDARD MULTIMODE DIGITAL & ANALOG TERRESTRIAL TV TRANSMITTER LINE

CONFIGURATION EXAMPLE:

10KW UHF ANALOG TV TRANSMITTER (DUAL DRIVER – FOUR AMPLIFIER)



Output filter

System Control & Automatic Changeover

MTX – Driving Unit “A”

MTX – Driving Unit “B” (standby unit)

Amplifier 2700W “A”

Amplifier 2700W “B”

Amplifier 2700W “C”

Amplifier 2700W “D”

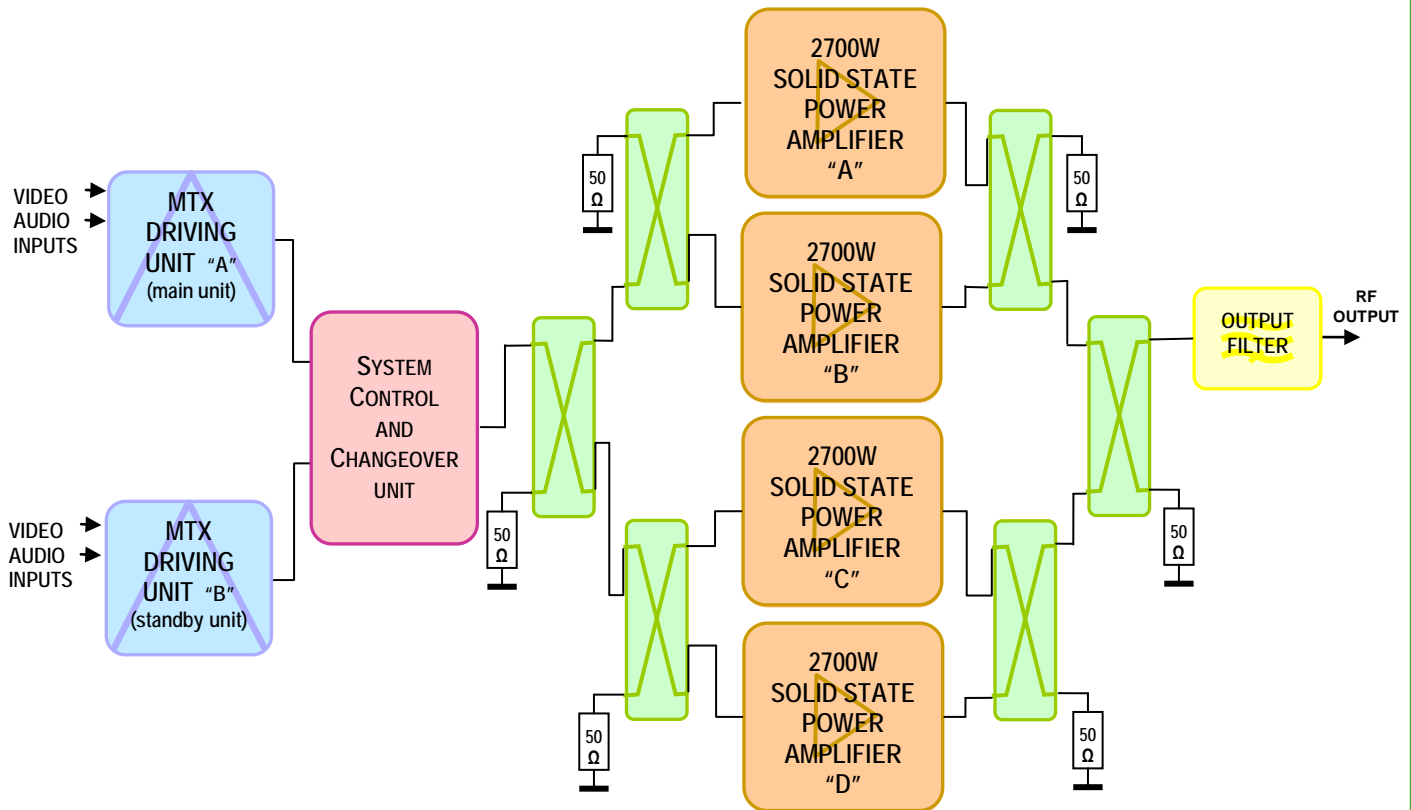
Mains switch

The “MTX” is a Software Defined Radio Transmitter /Transposer Series easily configurable or re-configurable as analog or digital multistandard unit.

ANALOG - DVB-T/H - DVB-T2 -
ISDB-T/Tb - ATSC



MTX A 10K /U-DD (DUAL DRIVER) BLOCK DIAGRAM



MTX A 10K /U -DD Standard specification

GENERAL SPECIFICATIONS

Output frequency range:	UHF 470 to 860MHz in 1Hz steps
Output Power (after filter):	10000W p.s. (tol. +0/-1dB)
Output connector:	Flange 3+1/8"
Housing:	Rack Cabinet 19" 38U; dimension: 570 x 1900 x 1000 mm (W x H x D)
Power consumption:	<32KVA (typ. 26KVA)
Power supply:	400 Vac \pm 10% 50/60Hz three phases (different power supplies and tolerances available on request)

Notes:

For standard specifications and general description, please refer to "MTX series" brochure.
For TV transmitter driver technical specifications please refer to "MTX series – driving unit" brochure.

All specifications contained in this document may be changed without prior notice.