

**GLENSOUND
ELECTRONICS LTD**

GS-MPIFW

**GSM Mobile Phone With Twin 4
Wires**

PRODUCT DETAILS

GLENSOUND ELECTRONICS LTD

GS-MPIFW001

1U FW SUBRACK WITH PHONE

HANDBOOK CONTENTS

DATE 16/11/11

WP06-422

ISSUE No. 1

	DESCRIPTION	DRAWING No
1.	Glensound, Warranty & Product Information (3 Pages)	
2.	GS-MPIFW001 Panel Views	A2-16578
3.	GS-MPIFW001 Block Diagram	A2-16580
4.	GSX02 Input Circuit Diagram	A3-16936
5.	GSX02 Mic Circuit Diagram	A3-16938
6.	GSX02 Outputs Circuit Diagram	A3-16940
7.	GSX02 PSU Circuit Diagram	A4-16942





Thank you for choosing a new GlenSound product.

All rights reserved.

Information contained in this manual is subject to change without notice, if in doubt please contact us for the latest product information.

If you need any help with the product then we can be contacted at:

GlenSound Electronics Ltd
1 – 6 Brooks Place
Maidstone
Kent
ME14 1HE
United Kingdom

Telephone: +44 (0) 1622 753662
Fax: +44 (0) 1622 762330

EMAIL ADDRESSES

General enquires: office@glenSound.co.uk
Technical enquires: techinfo@glenSound.co.uk
Sales enquires: sales@glenSound.co.uk

PRODUCT WARRANTY:

All equipment is fully tested before dispatch and carefully designed to provide you with trouble free use for many years.

We have a policy of supporting products for as long as possible and guarantee to be able to support your product for a minimum of 10 years.

For a period of one year after the goods have been despatched the Company will guarantee the goods against any defect developing after proper use providing such defects arise solely from faulty materials or workmanship and that the Customer shall return the goods to the Company's works or their local dealer.

All non wear parts are guaranteed for 2 years after despatch and any defect developing after proper use from faulty materials or workmanship will be repaired under this warranty providing the Customer returns the goods to the Company's works or their local dealer.



This equipment manufactured by Glen sound Electronics Ltd of Brooks Place
Maidstone Kent ME14 1HE is **CE** marked and conforms to:

Low Voltage Directive: EN60204.1
Emissions: EN55103.1
Immunity: EN55103.2

WASTE ELECTRICAL AND ELECTRONIC EQUIPMENT REGULATIONS 2006 (WEEE)

Glen sound Electronics Ltd is registered for business to business sales of
WEEE in the UK our registration number is:

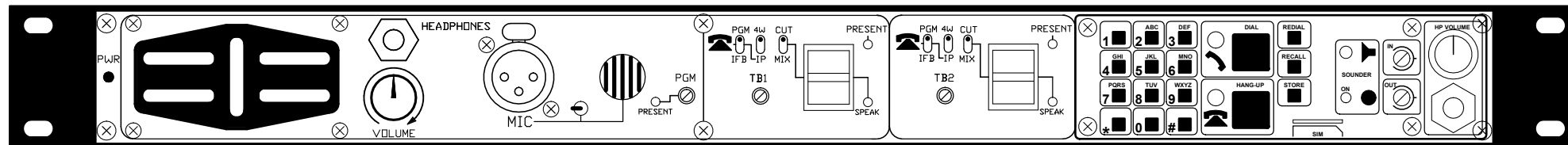
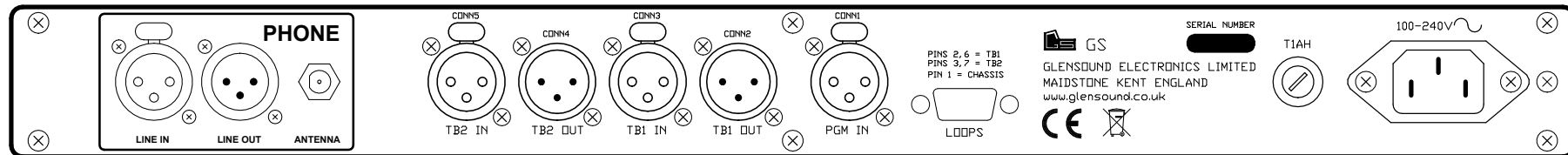
WEE/JJ0074UR

RoHS DIRECTIVE


EC directive 2002/95/EC restricts the use of the hazardous substances listed
below in electrical and electronic equipment.

This product conforms to the above directive and for this purposes, the
maximum concentration values of the restricted substances by weight in
homogenous materials are:

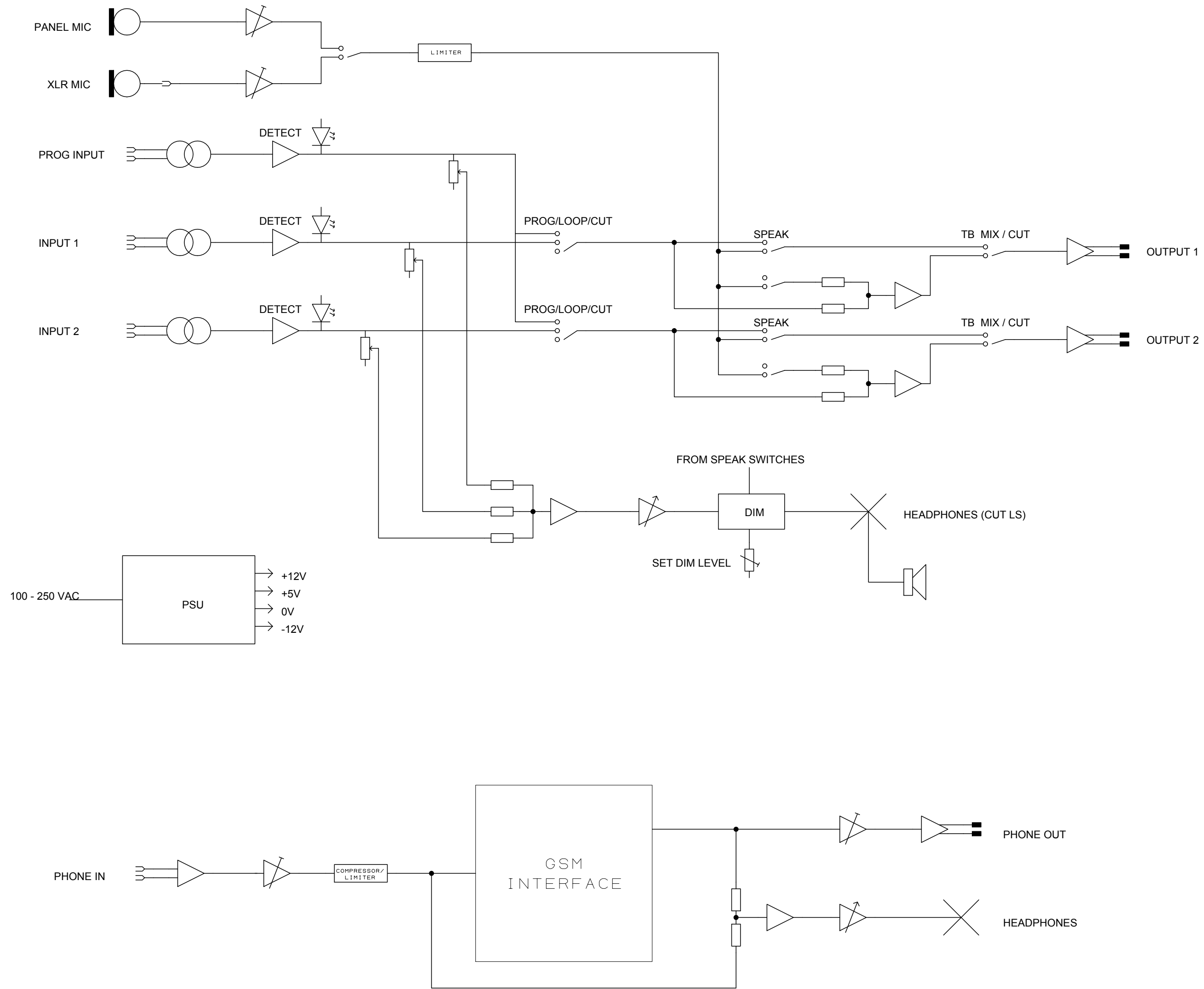
Lead	0.1%
Mercury	0.1%
Hexavalent Chromium	0.1%
Polybrominated Biphenyls	0.1%
Polybrominated Diphenyl Ethers	0.1%
Cadmium	0.01%



ISSUE	2	(C) Glensound 2009	
DATE	10/02/10	SUBJECT	Twin 4 wire with single mobile phone
DRAWN	GGD	DRG. REF.	A2-16578


Glensound Electronics Ltd.
 6 Brooks Place, Maidstone, Kent. ME14 1HE.
 www.glenssound.co.uk Tel: +44 (0) 1622 753662

A2H



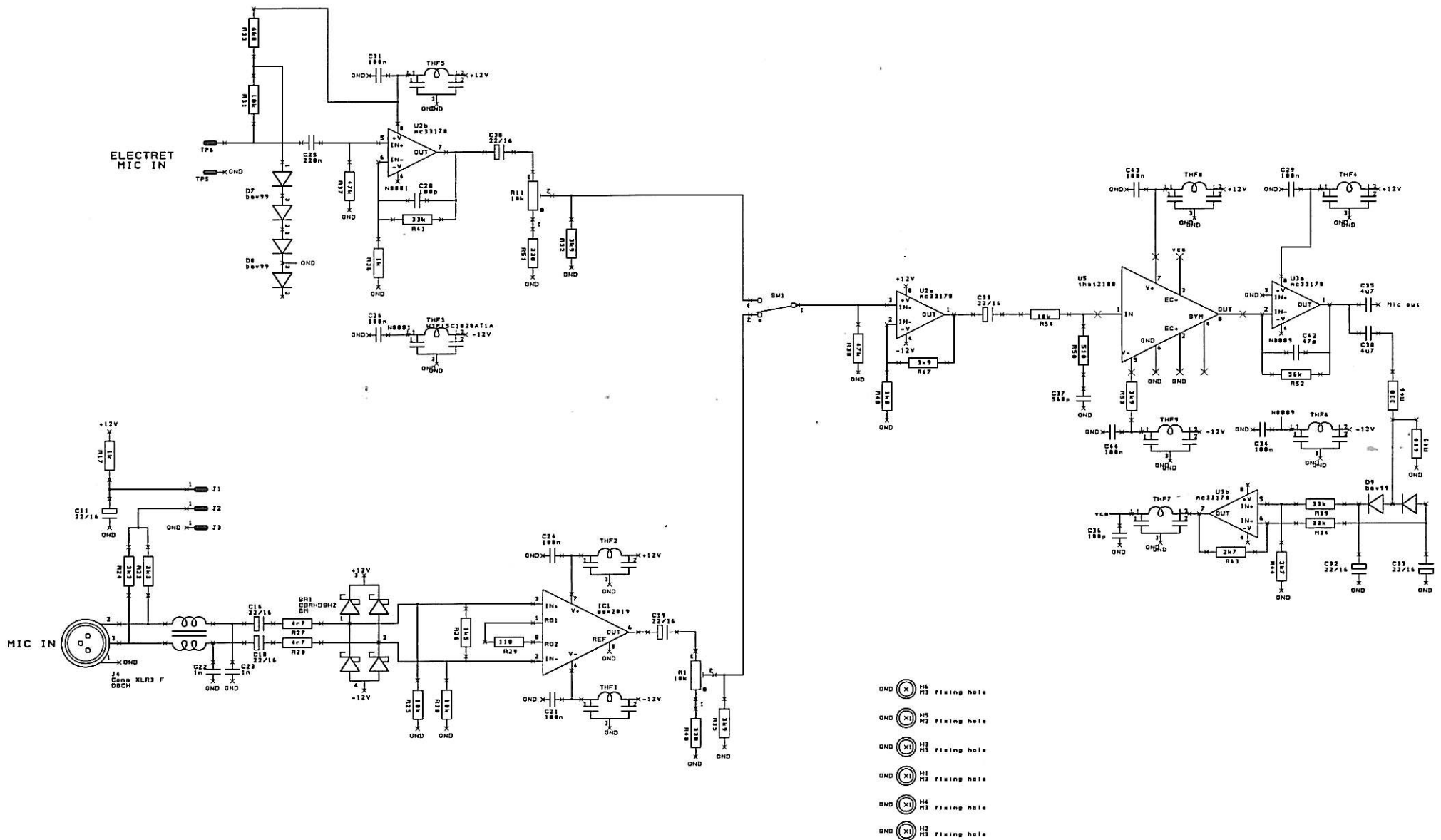
Twin 4 wire with
single mobile phone

ISSUE 1

DATE 16/12/09

DRAWING NUMBER A2-16580

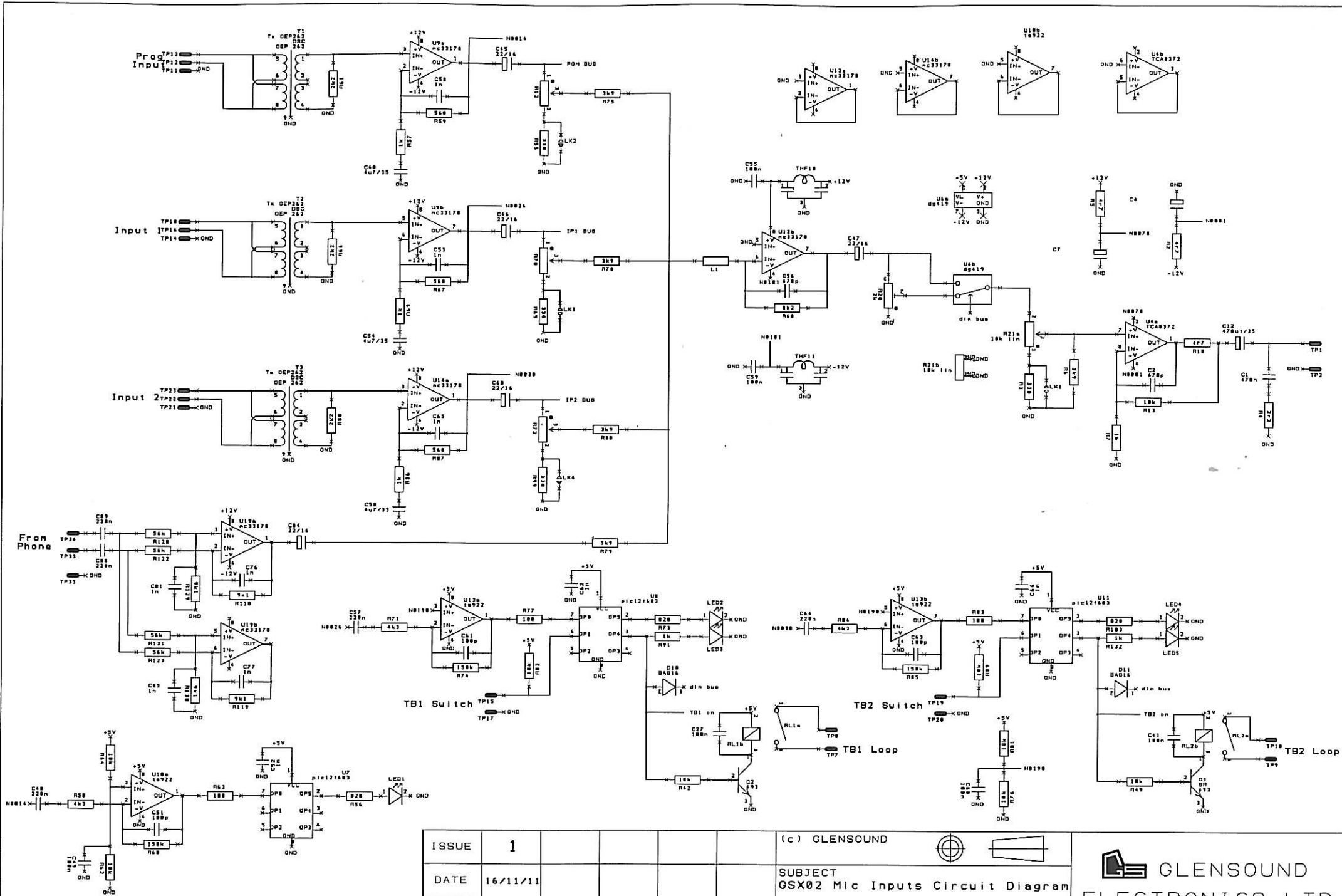
 **GLENSOUND**
ELECTRONICS LTD © 2009



- ⊗ H6 H3 fixing hole
- ⊗ H1 H2 fixing hole
- ⊗ H1 H3 fixing hole
- ⊗ H1 H2 fixing hole
- ⊗ H1 H3 fixing hole
- ⊗ H1 H2 fixing hole

ISSUE	1				(c) GLENSOUND
DATE	16/11/11				SUBJECT GSX02 Inputs Circuit Diagram
DRAWN	CJH				DRG. REF. A3-16936

 GLENSOUND
ELECTRONICS LTD.

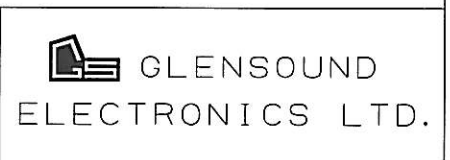


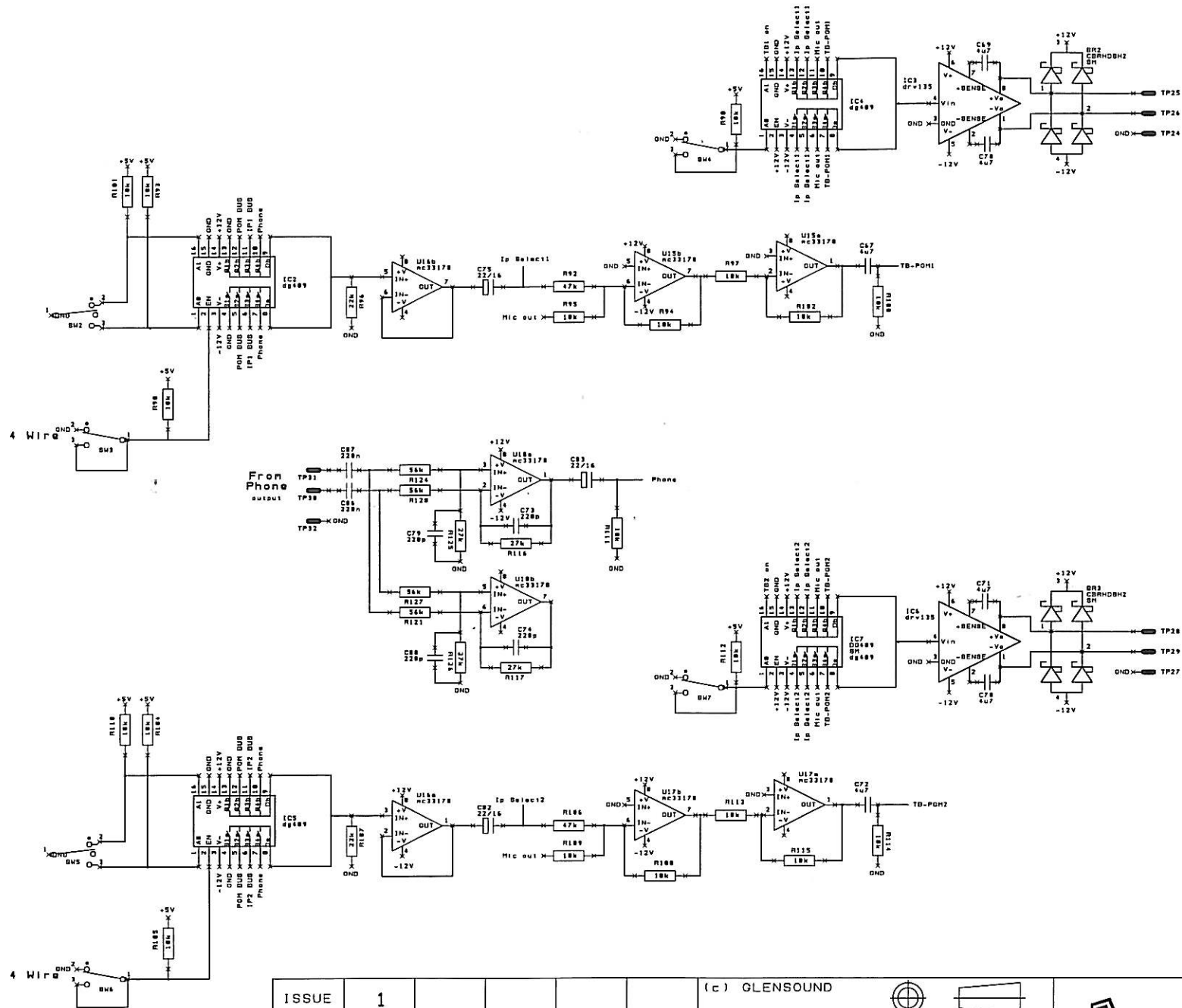
ISSUE	1			
DATE	16/11/11			
DRAWN	CJH			

(c) GLENSOUND

SUBJECT
GSX02 Mic Inputs Circuit Diagram

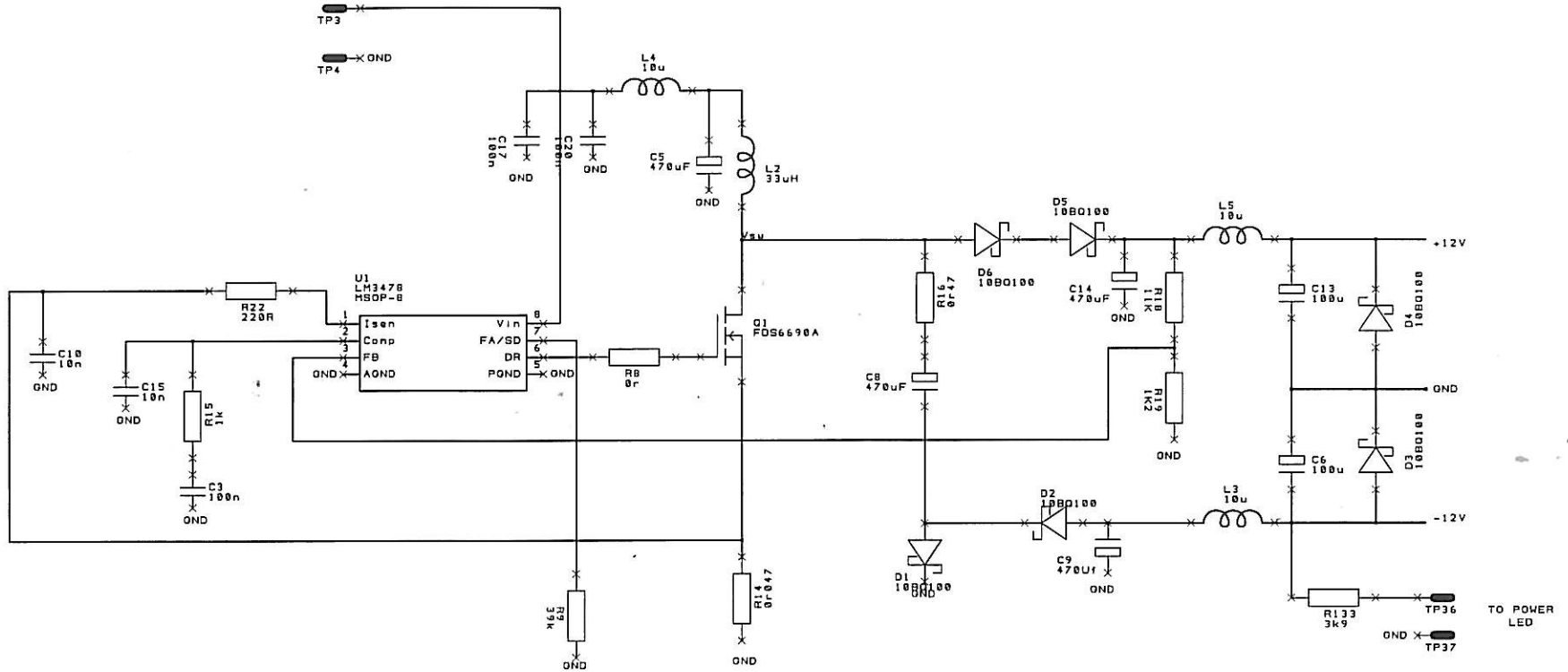
DRG. REF. A3-16938

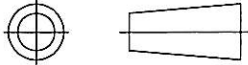





ISSUE	1				(c) GLENSOUND
DATE	16/11/11				SUBJECT GSX02 Outputs Circuit Diagram
DRAWN	CJH				DRG. REF. A3-16940

GLENSOUND
ELECTRONICS LTD.



ISSUE	1				(c) GLENSOUND		 GLENSOUND ELECTRONICS LTD.
DATE	16/11/11				SUBJECT	GSX02 PSU Circuit Diagram	
DRAWN	CJH				DRG. REF.	A4-16942	